

DOMETIC PROHEAT M-SERIES HEATER



M-Series

EN M-SERIES HEATER PARTS CATALOG

Serial numbers

G-II PCM model heaters: 705000 – to date and all models equipped with a replacement G-II PCM and diaphragm compressor

WARNING

Cancer and Reproductive Harm
www.P65Warnings.ca.gov

[REVISION C] Form No. SL9167 | ©2021 Dometic Corporation

Table of Contents

1 Important Safety Information	1-1
1.1 Explanation of symbols.....	1-1
1.2 Safety considerations	1-1
2 Selection Guide	2-1
3 Proheat Control Module (PCM) type	3-1
4 Selection Guide and Parts Descriptions	4-1
4.1 Selection guide	4-1
4.2 Heat exchangers.....	4-1
4.3 Burner Head/Blower	4-4
4.4 Compressor	4-5
4.5 Ignition/fuel system.....	4-8
4.6 Fuel delivery block	4-9
4.7 G-II Proheat Control Module (PCM)	4-10
4.8 Options	4-13
Fuel supply system	4-13
Air inlet hose	4-14
Timer/exhaust system	4-15
Switch/enclosure	4-16
Coolant pump	4-17
Harness attachments	4-18
Electrical connectors	4-19
Test equipment/special tools/documentation	4-20
5 Numeric Parts Index	5-1

This page left intentionally blank.

1 Important Safety Information

1.1 Explanation of symbols

The symbols below are used throughout this publication to alert you to potential hazards involved with the operation and installation of this product. Observe these warnings and notices carefully. The safety alerts alone cannot eliminate hazards; strict compliance with any special instructions during installation, operation, and maintenance, along with common sense operation, are important measures to prevent hazardous situations.



DANGER!

Safety instruction: Indicates a hazardous situation that, if not avoided, will result in death or serious injury.



WARNING!

Safety instruction: Indicates a hazardous situation that, if not avoided, could result in death or serious injury.



CAUTION!

Safety instruction: Indicates a hazardous situation that, if not avoided, could result in minor or moderate injury.



NOTICE!

Indicates a situation that, if not avoided, can result in property damage.



NOTE

Supplementary information for operating the product.

1.2 Safety considerations



WARNING!

Exhaust: Inhalation of exhaust gas (containing carbon monoxide) may cause severe personal injury and/or death. Anyone suspected of suffering from CO inhalation should be removed from the hazardous area and given medical assistance immediately.



WARNING!

Explosion Hazard: Do not operate heater where combustible fumes or airborne particles, such as sawdust, are present.



WARNING!

Fuel: Exercise extreme caution when working near fuel or fuel-filled equipment. Do not operate heater during fueling operations. In addition, do not smoke or handle open flame equipment, such as a blowtorch, around fuel.

**WARNING!**

Fire Hazard: Do not place any flammable items around the heater and exhaust pipe.

**WARNING!**

Batteries: Wear hand and eye protection when working near batteries. Do not smoke or use open flames near batteries.

**WARNING!**

Electrical: Electric shock can cause severe personal injury, burns, and death. Before working on any unit, disconnect the batteries. Use only approved materials and methods when working on the electrical system and follow local electrical codes. Never work with electricity in wet conditions or when you are feeling fatigued.

**WARNING!**

Poisons/Toxins: Fuel and coolant are toxic and in some cases, carcinogenic. Wear eye and hand protection at all times. Remove contaminated clothing immediately and wash contaminated skin. Do not breathe in vapors.

**WARNING!**

Moving/Hot Parts: Moving parts can cause severe injury and or death. Before working on any unit, shut it off. Do not operate any unit until protective covers have been replaced. Always ensure bolts and clamps are correctly torqued and secured. Inspect mechanical components periodically for damage and corrosion.

**WARNING!**

Coolant: could cause serious personal injury. The coolant level in the expansion tank should be checked at least weekly (more frequently in high mileage or arduous conditions). Always check the level when the system is cold. Unscrew the filler cap slowly, allowing the pressure to escape before removing completely. Never run the engine without coolant.

Prevent anti-freeze coming in contact with the skin or eyes. If this occurs, rinse immediately with plenty of water. Anti-freeze will damage painted surfaces.

Never top-up with salt water. Even when traveling in territories where the water supply contains salt, always ensure you carry a supply of fresh (rain or distilled) water.

**DANGER!****California Proposition 65 Warning:**

Battery posts, terminals, and related accessories contain lead and lead compounds, chemicals known to the state of California to cause cancer and reproductive harm.

Wash hands after handling.

2 Proheat Control Module (PCM) Type

The G-I Proheat Control Module (PCM) is no longer available. It has been replaced with the G-II PCM. The new G-II PCM incorporates a new dual mode analog/digital temperature sensor and advanced Data Link software. Both styles can be identified in the figures below. Please refer to the M-Series Service Manual at www.proheat.com for additional information.

This manual covers only the G-II PCM.

Please see SL9151 for parts information on the G-I PCM.

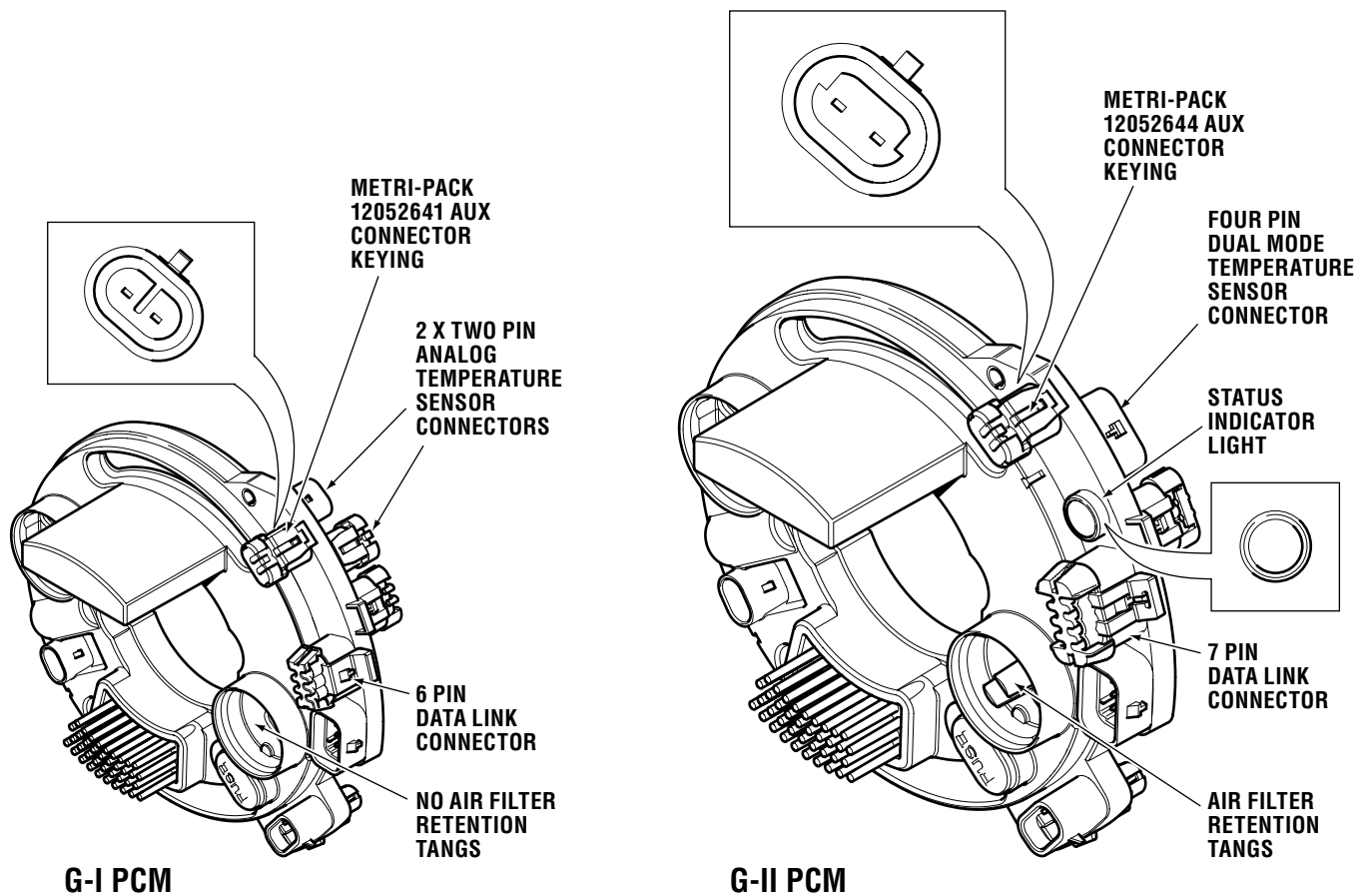


Figure C-1. G-I PCM and G-II PCM.

This page left intentionally blank.

3 Compressor Type Identification

The rotary vane compressor is no longer available has been replaced with the diaphragm type. Both styles can be identified in the figures below. Please refer to the M-Series parts book at www.proheat.com for part numbers.

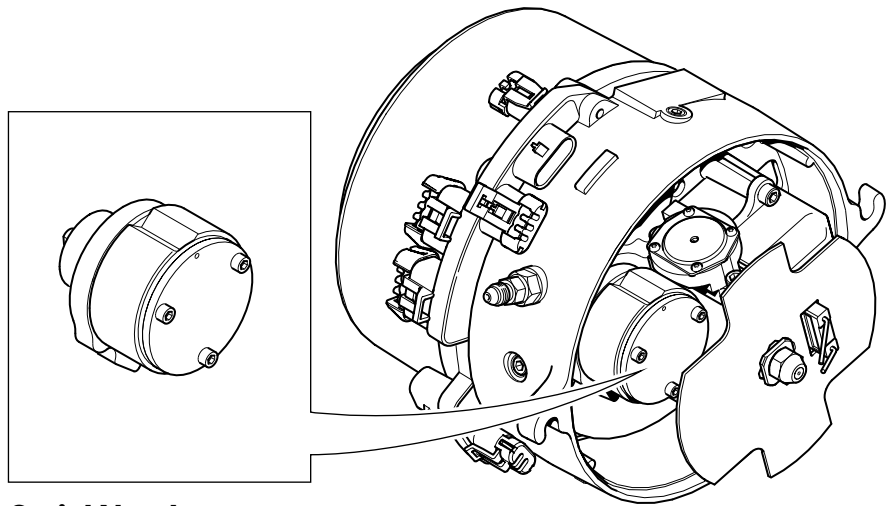
This manual covers only the diaphragm compressor.

Please see SL9151 for parts information on the vane compressor.



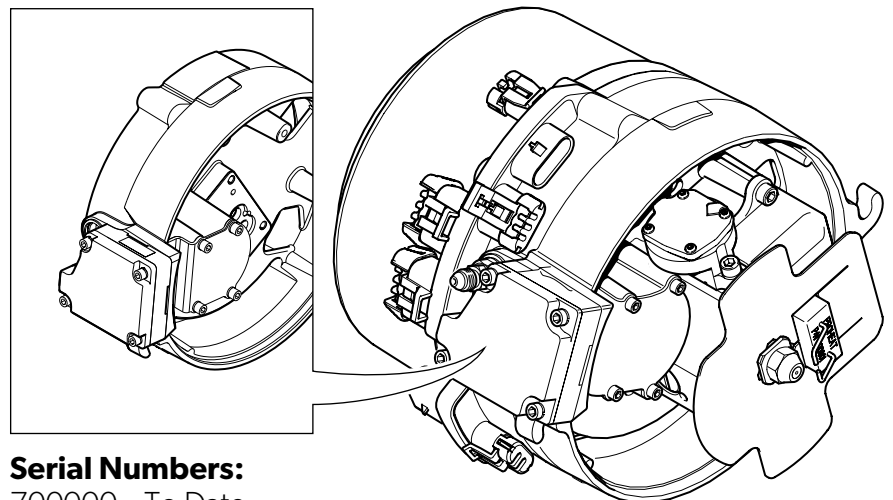
NOTICE!

For continuity, all figures shown in this manual will use a diaphragm compressor unless where special instructions or illustrations are required.



Serial Numbers:
500000 – 699999

Figure D-1. Rotary Vane Compressor Type.



Serial Numbers:
700000 – To Date

Figure D-2. Diaphragm Compressor Type.

This page left intentionally blank.

4 Selection Guide and Parts Descriptions

4.1 – Selection guide

This selection guide is designed to help you choose the appropriate Proheat kit for your application. For further information, visit our web site at: www.proheat.com

M-Series Heaters

PH0605	M50, 12 volt basic heater (50,000 BTU)
PH0606	M50, 24 volt basic heater (50,000 BTU)
PH0803	M80, 12 volt basic heater (80,000 BTU)
PH0804	M80, 24 volt basic heater (80,000 BTU)
PH0903	M90, 12 volt basic heater (90,000 BTU)
PH0904	M90, 24 volt basic heater (90,000 BTU)
PH0912	M90, 12 volt basic heater (90,000 BTU), up exhaust
PH0924	M90, 24 volt basic heater (90,000 BTU), up exhaust
PH0954	M105, 24 volt basic heater (105,000 BTU)
PH0925	M125, 24 volt basic heater (125,000 BTU)



NOTE

All M-Series heaters do not include coolant pump



NOTE

Transit bus and motor coach heaters have specific parts and software. The basic heaters listed above are not intended to be used in transit bus and motor coach applications. Please contact Proheat for further information.

Installation Kits

PK0306	Basic installation kit, 12 volt
PK0304	Basic installation kit, 24 volt

Kit contains:

Power wire harness.....	200204K
Control wire harness.....	200410K
Coolant pump harness.....	944900K
Rocker switch 12/24 volt	920130K
Exhaust pipe	980794K
Exhaust clamp	900879K
Fitting, 90° elbow, -4 JIC-F x 1/4" pushlok	123542K
Fitting, -4 JIC-F x 1/4" pushlok	925173K
Fuel, hose 1/4" ID x 15 ft.	960146K
Fuel pick-up.....	980630K

Options

PK0001-1	Timer, T-II, 7 day digital
PK0365	Coolant pump 5300 24 volt
PK0316	Snorkel kit air inlet hose (ø 3" ID)
PK0317	Snorkel kit air inlet hose (ø 2.25" ID)
PK0064	Datalink kit M-Series G-II only
960150K	Adapter, fuel supply, tight access
924812K	Coolant pump, Duratek® HD, brushless, Mag drive straight fitting 12 Volt
924824K	Coolant pump, Duratek® HD, brushless, Mag drive straight fitting 24 Volt
150207K	Enclosure, steel, down exhaust
150208K	Enclosure, steel, up exhaust
896572K	Snorkel attachment (ø 3" OD)
135689K	Snorkel attachment (ø 2.25" OD)
135695K	90° elbow snorkel attachment (ø 2.25" OD)

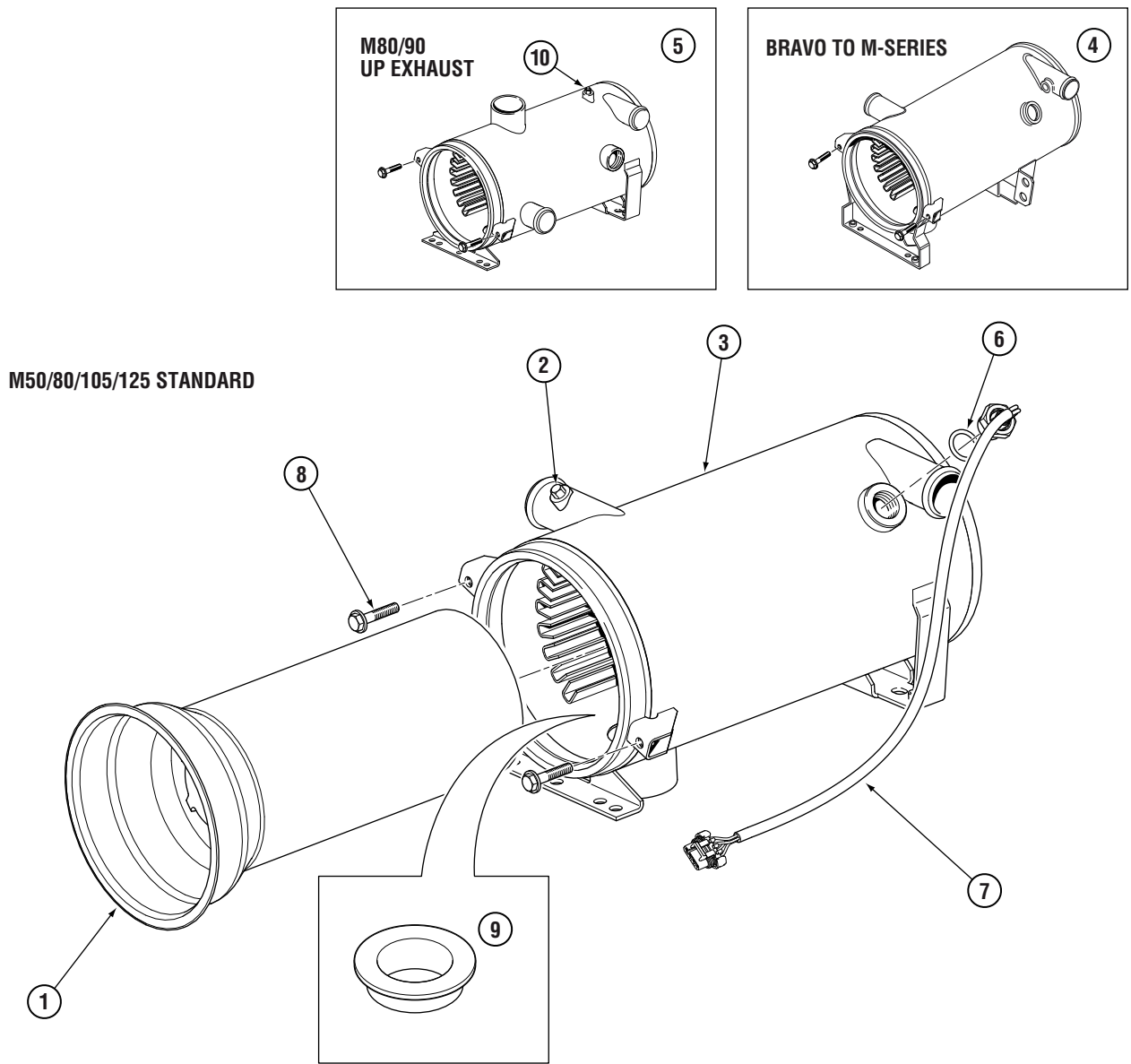
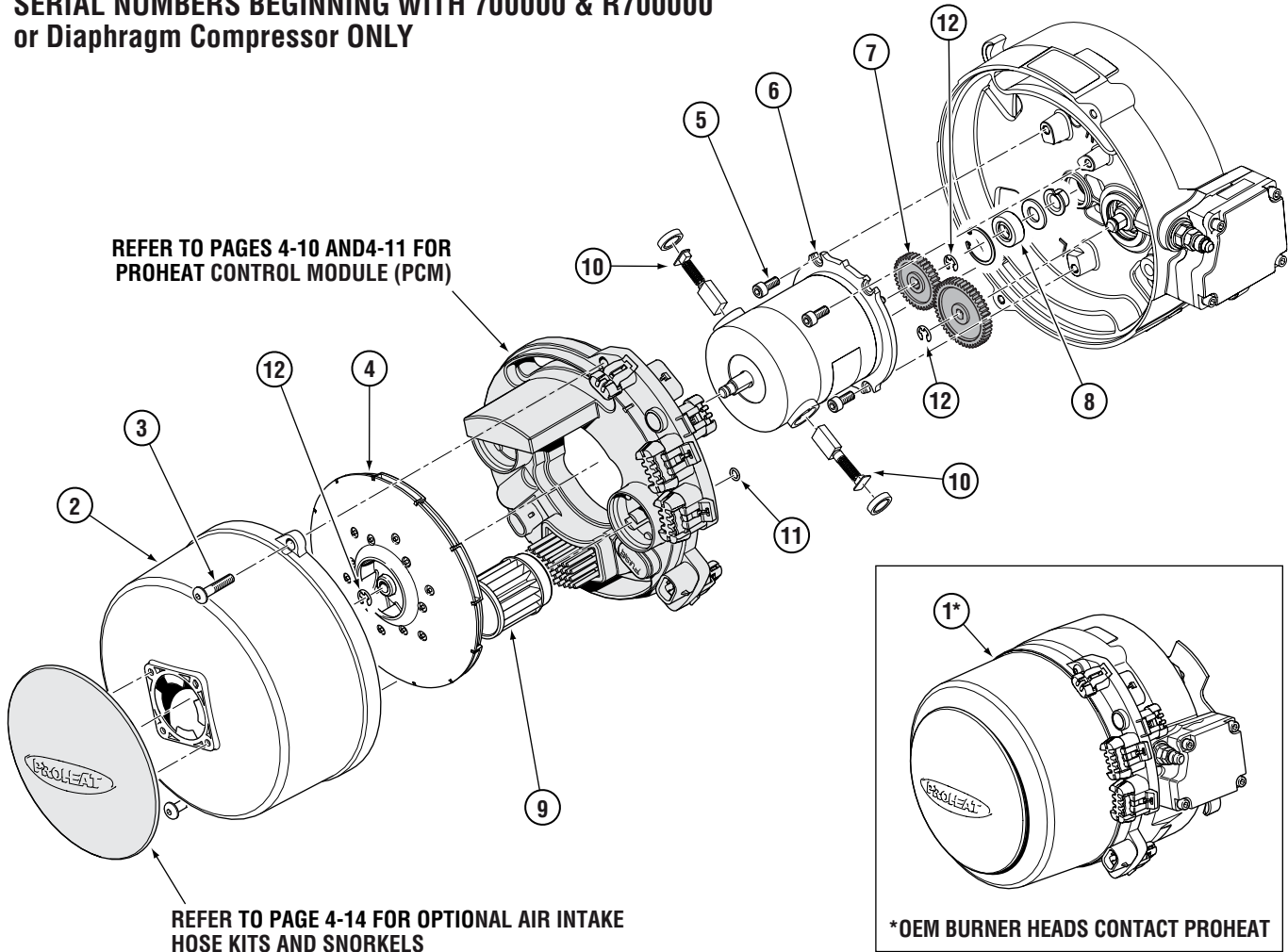


Figure 1.

Item	Part#	Description	Item	Part#	Description
1	200200K	Combustion tube, M50/M80, 13.75" long	5	850400K	Heat exchanger, M80/90, up exhaust
	209200K	Combustion tube, Bravo to M-Series M90 down exhaust and, M80/90 up exhaust 16.75" long	6	917724K	O-ring, dual mode temperature sensor (see page 4-12)
	200206K	Combustion tube, M125, 17.75" long	7	200304K	Dual mode temperature sensor c/w O-ring item 6 (see page 4-12)
2	900960K	Plug	8	850778K	Screw M8 x 1.25 x 30 HWHCS (2/pkg.)
3	206195K	Heat exchanger, M50, c/w restrictor item 9	9	235687K	Restrictor exhaust 1" (M50 only)
	940501K	Heat exchanger, M80	10	862128K	Bleed valve, M50/80/90 up exhaust, only
	940502K	Heat exchanger, M125			
4	940600K	Heat exchanger, Bravo to M-Series M90 down exhaust			

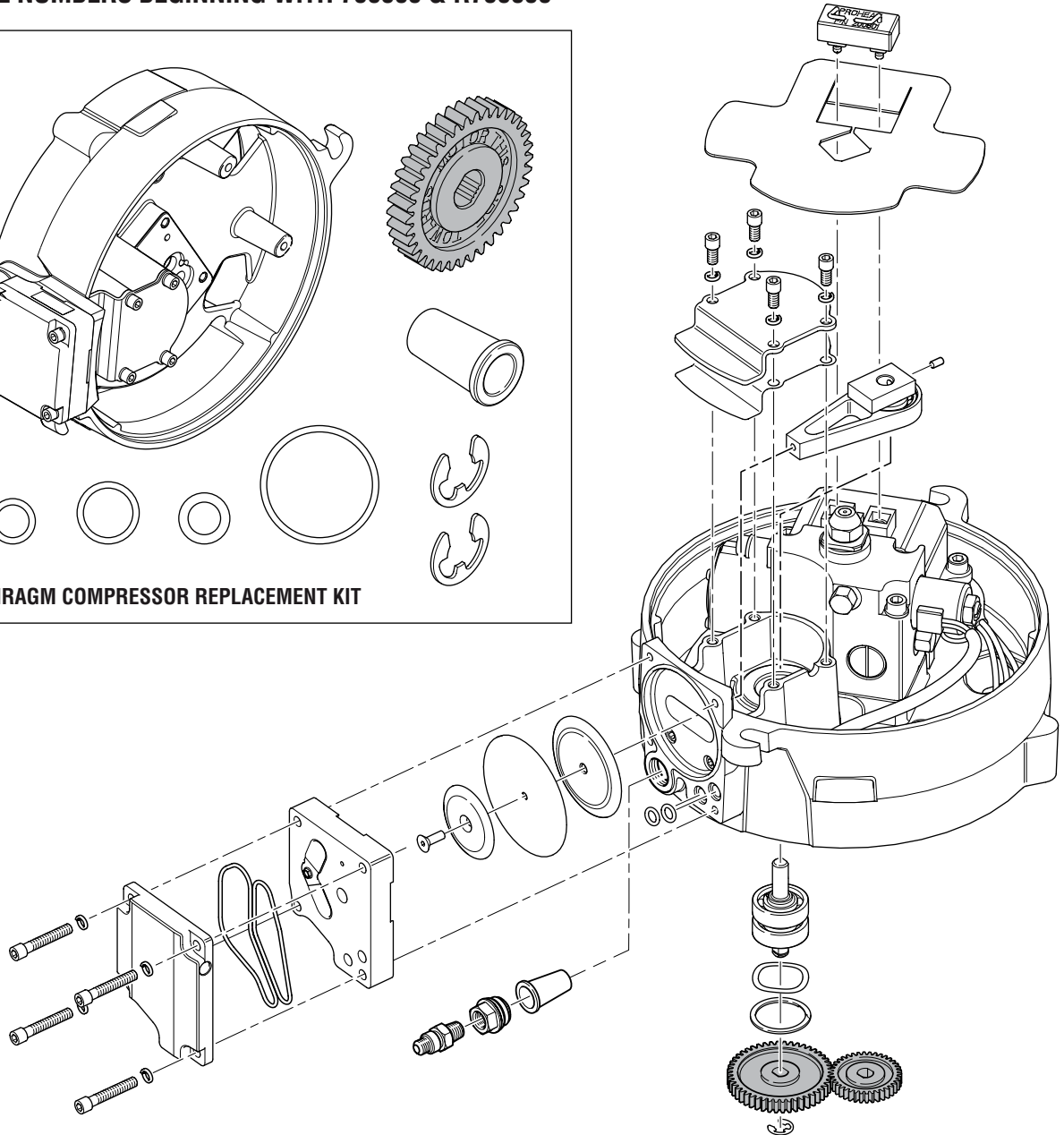
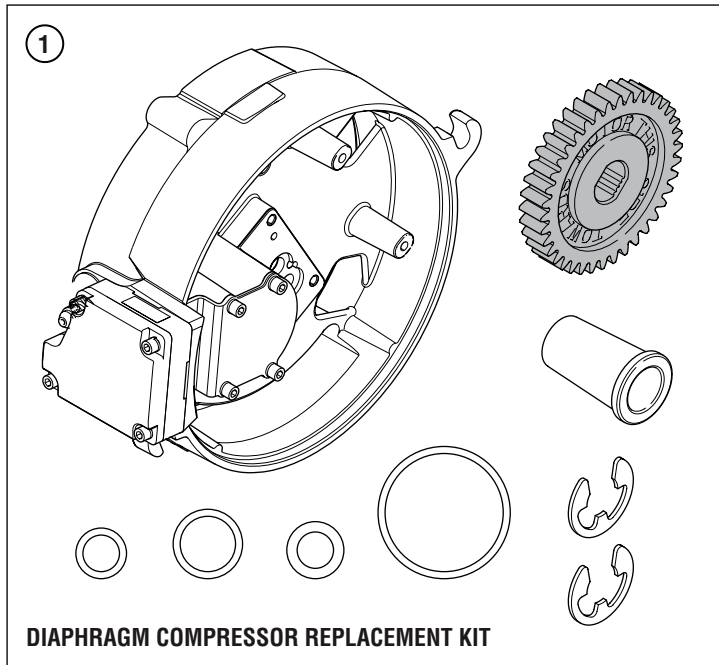
**SERIAL NUMBERS BEGINNING WITH 700000 & R700000
or Diaphragm Compressor ONLY**



Item	Part#	Description
*1	Burner Head Assemblies	
	509916K	M50, 12V, basic
	509912K	M80, 12V, basic
	509012K	M90, 12V, basic
	509920K	M50, 24V, basic
	509909K	M80, 24V, basic
	509010K	M90, 24V, basic
	509969K	M105/125, 24V basic
	The basic burner heads listed are not intended to be used in transit bus and motor coach applications. Please contact Proheat for further information.	
2	200447K	Blower housing c/w fasteners item 2
3	200122K	Screw, M6x1x25 mm, BHSCS SS (2/pkg.)
4	200419K	Blower, capped, M-Series c/w retaining ring

Item	Part#	Description
5	850233K	Screw, M6 x 1 x 16 mm, SHCS SS (4/pkg.)
6	200404K	Motor, 24 Volt, c/w fasteners item 5
	200508K	Motor, 12 Volt, c/w fasteners item 5
7	402102K	Gear, set c/w retaining rings, (diaphragm compressor only)
8	200412K	Seal kit, c/w bearing
9	200610K	Air filter, M-Series
10	950669K	Brush kit (2/pkg.)
11	220420K	O-ring, air intake (diaphragm compressor only)
12	920175K	Retaining ring (3/pkg.)
13	215800K	O-ring kit complete (not shown). Contains all O-rings used in the M-Series diaphragm compressor burner head.

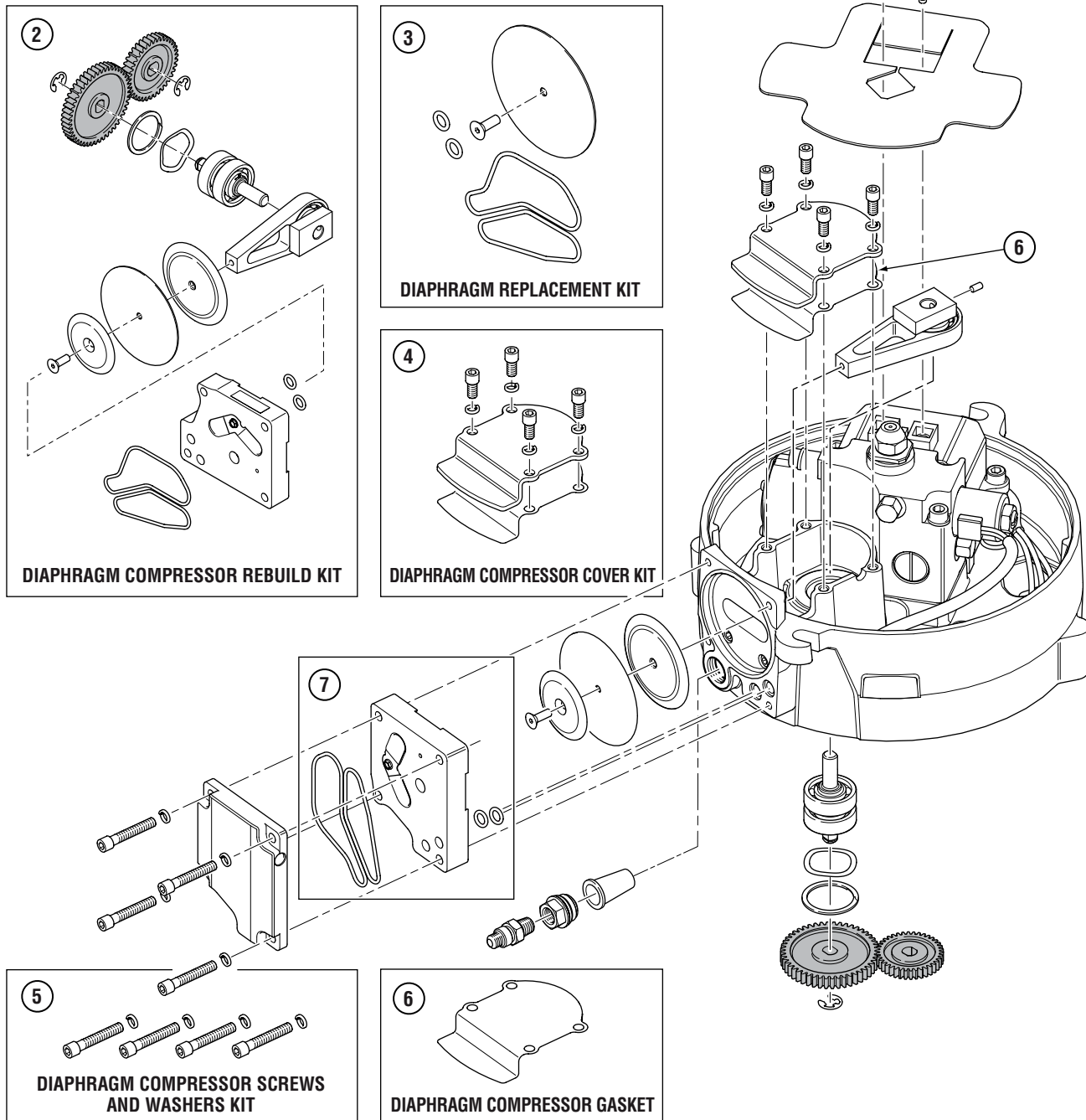
SERIAL NUMBERS BEGINNING WITH 700000 & R700000



Item	Part#	Description
1		Burner Head Flange and Compressor
	201050K	M50
	201080K	M80/90
	201105K	M105/125

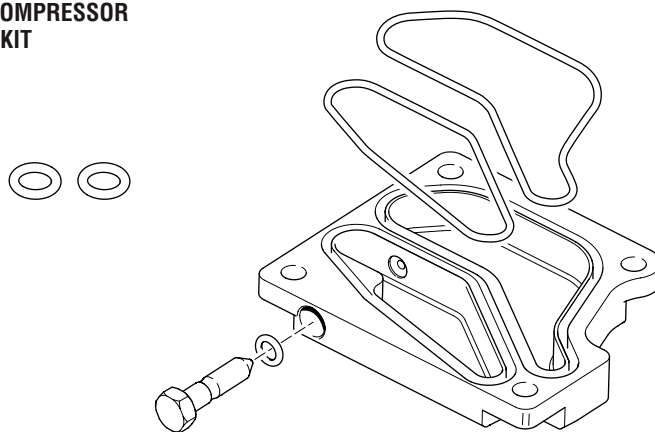
Item	Part#	Description
------	-------	-------------

SERIAL NUMBERS BEGINNING WITH 700000 & R700000

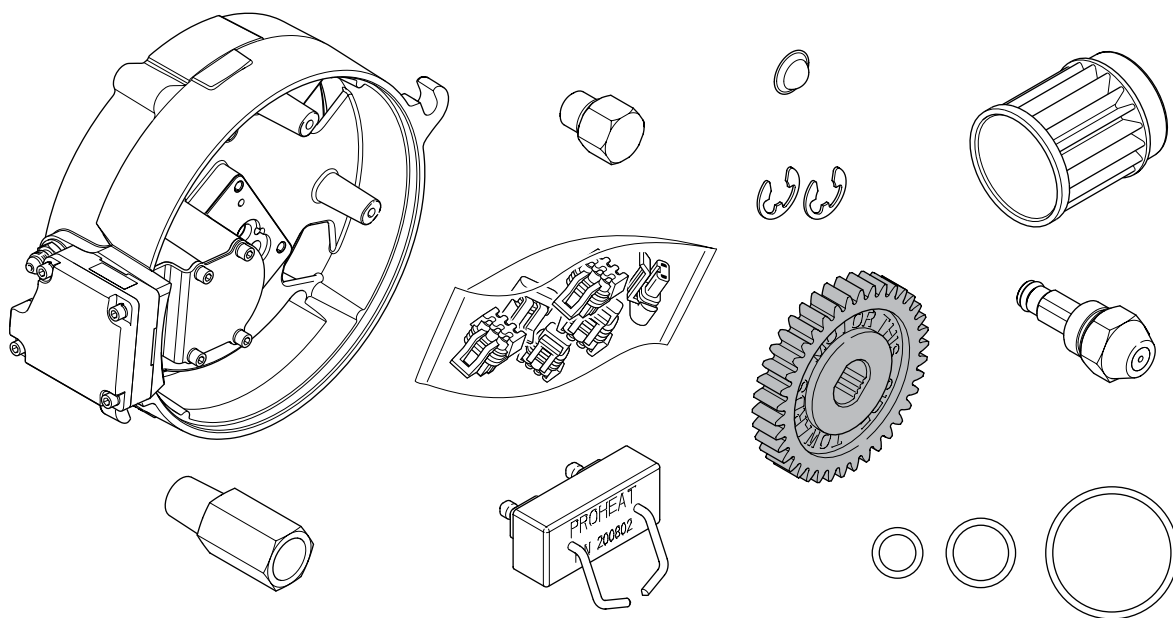


Item	Part#	Description	Item	Part#	Description
2	200691K	Diaphragm compressor rebuild kit	5	201600K	Diaphragm compressor screws and washers kit
3	200685K	Diaphragm replacement kit	6	200492K	Gasket, diaphragm compressor cover
4	200478K	Diaphragm compressor cover kit Contains gasket, cover, bolts and lock washers	7	200574K	Cylinder head replacement kit

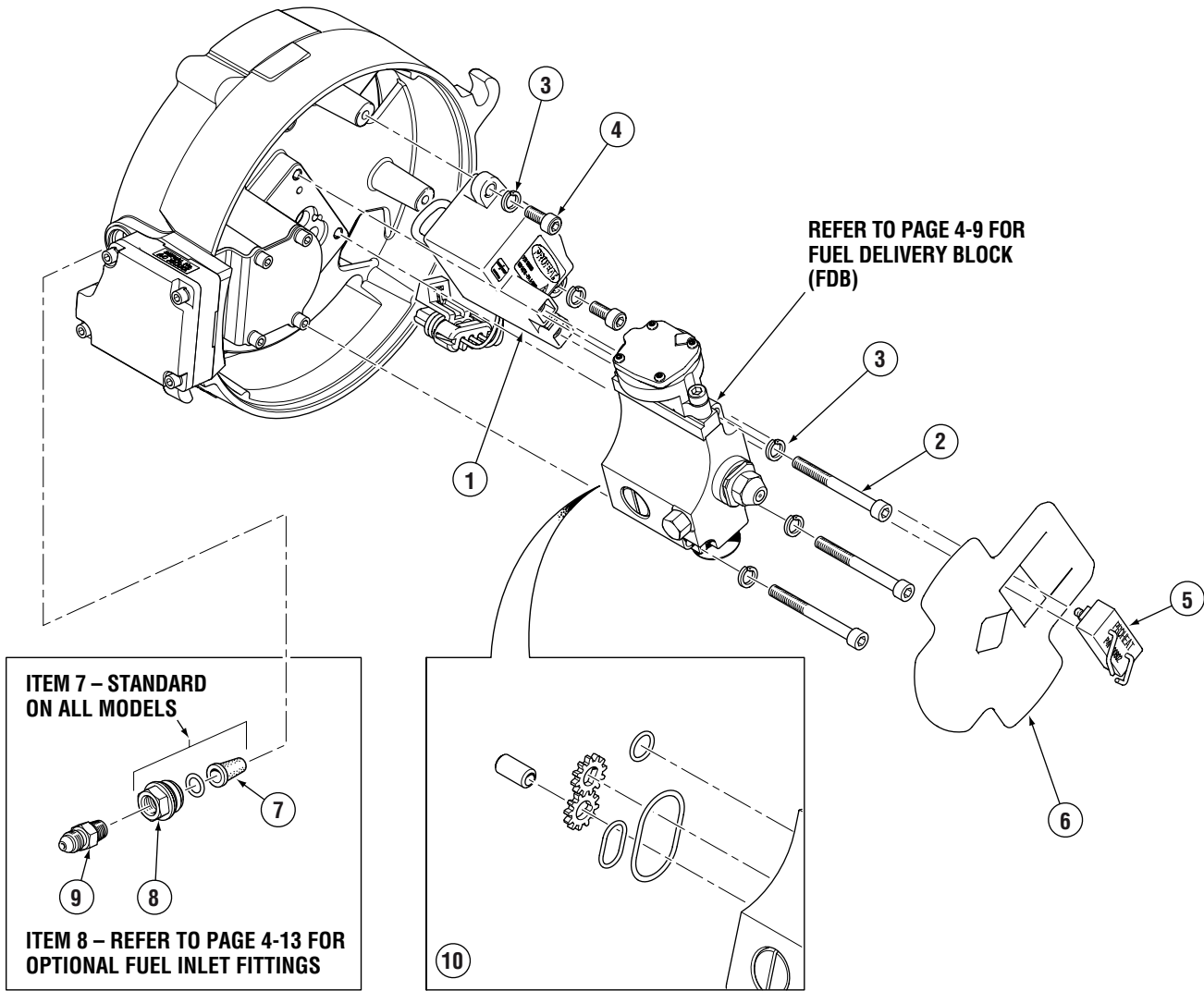
8 DIAPHRAGM COMPRESSOR VALVE COVER KIT



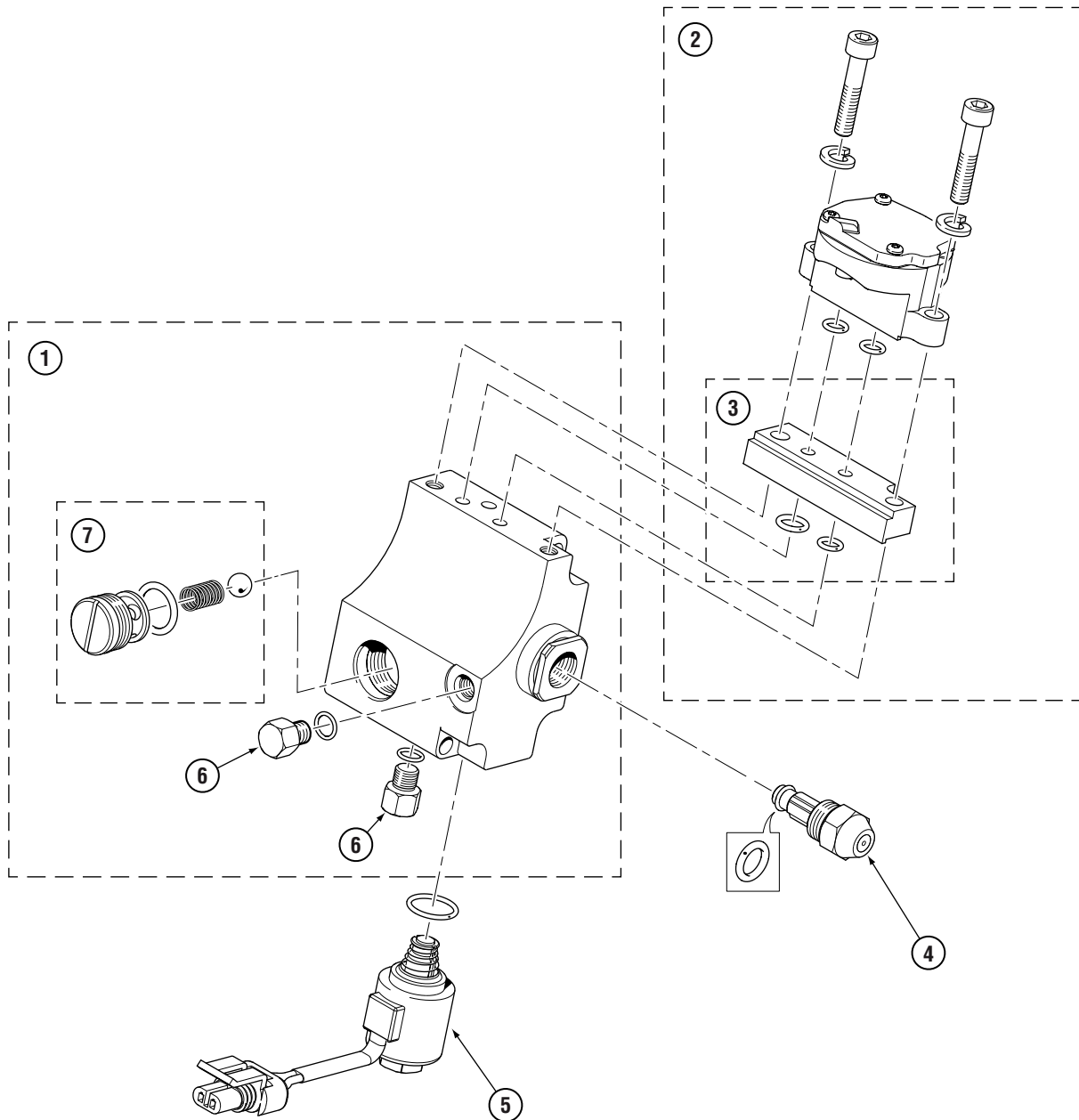
9 DIAPHRAGM COMPRESSOR & TUNE-UP KIT (REQUIRED WHEN UPDATING FROM VANE COMPRESSOR MODEL)
GILLIG BUSES REQUIRE TIGHT ACCESS FITTING KIT ITEM 15 ON PAGE 4-13



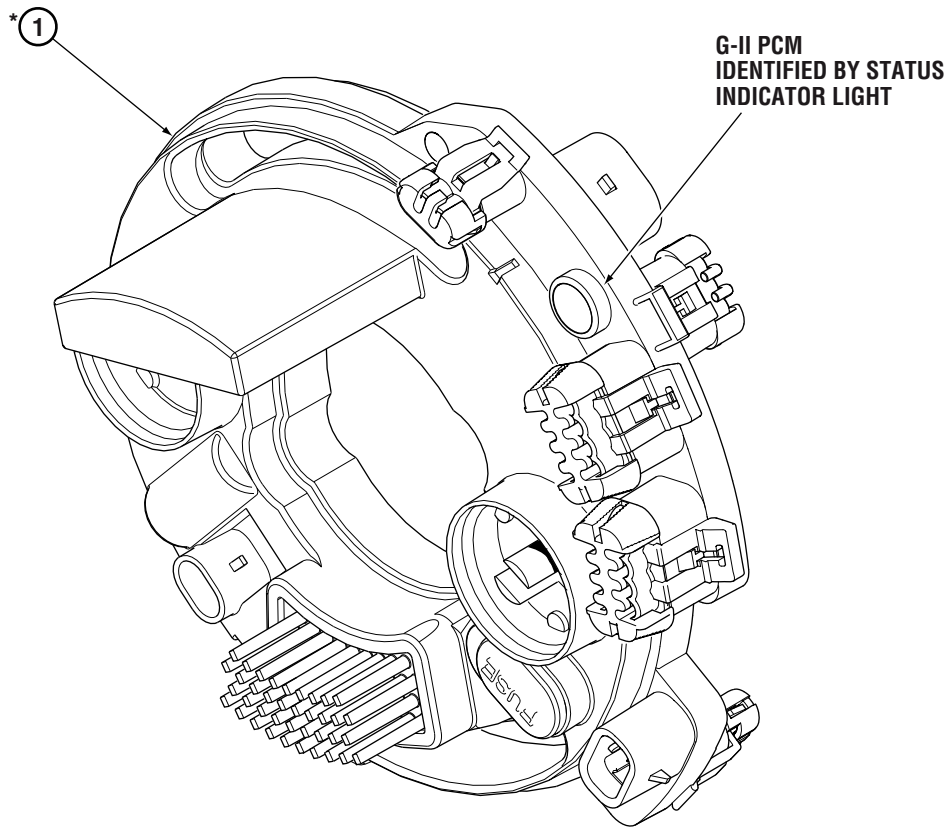
Item	Part#	Description	Item	Part#	Description
8	200475K	Diaphragm compressor valve cover kit	10	215800K	O-ring kit complete (not shown) Contains all O-rings used in the M-Series diaphragm compressor burner head.
9	201055K	Diaphragm compressor tune-up, M50 (parts included as shown)			
	201085K	Diaphragm compressor tune-up, M80/90 (parts included as shown)			
	201155K	Diaphragm compressor tune-up, M105/125 (parts included as shown)			



Item	Part#	Description	Item	Part#	Description
1	200850K	Ignition module c/w fasteners and electrodes (items 3, 4 and 5)	9	859165K	Fitting, -4 JIC-M x 1/8" NPT
2	850123K	Screw, M6 x 1 x 60 mm, SHCS SS (4/pkg.)	10	200701K	Fuel pump service kit
3	020625K	#10 lock washer (10/pkg.)	11	215800K	O-ring kit complete (not shown) Contains all O-rings used in the M-series burner head.
4	850233K	Screw, M6 x 1 x 16 mm, SHCS SS (4/pkg.)			
5	200802K	Ignition electrodes			
6	200705K	Flame shield			
7	880035K	Fuel filter			
8	200479K	Fitting, fuel inlet, c/w O-ring (diaphragm compressor only)			



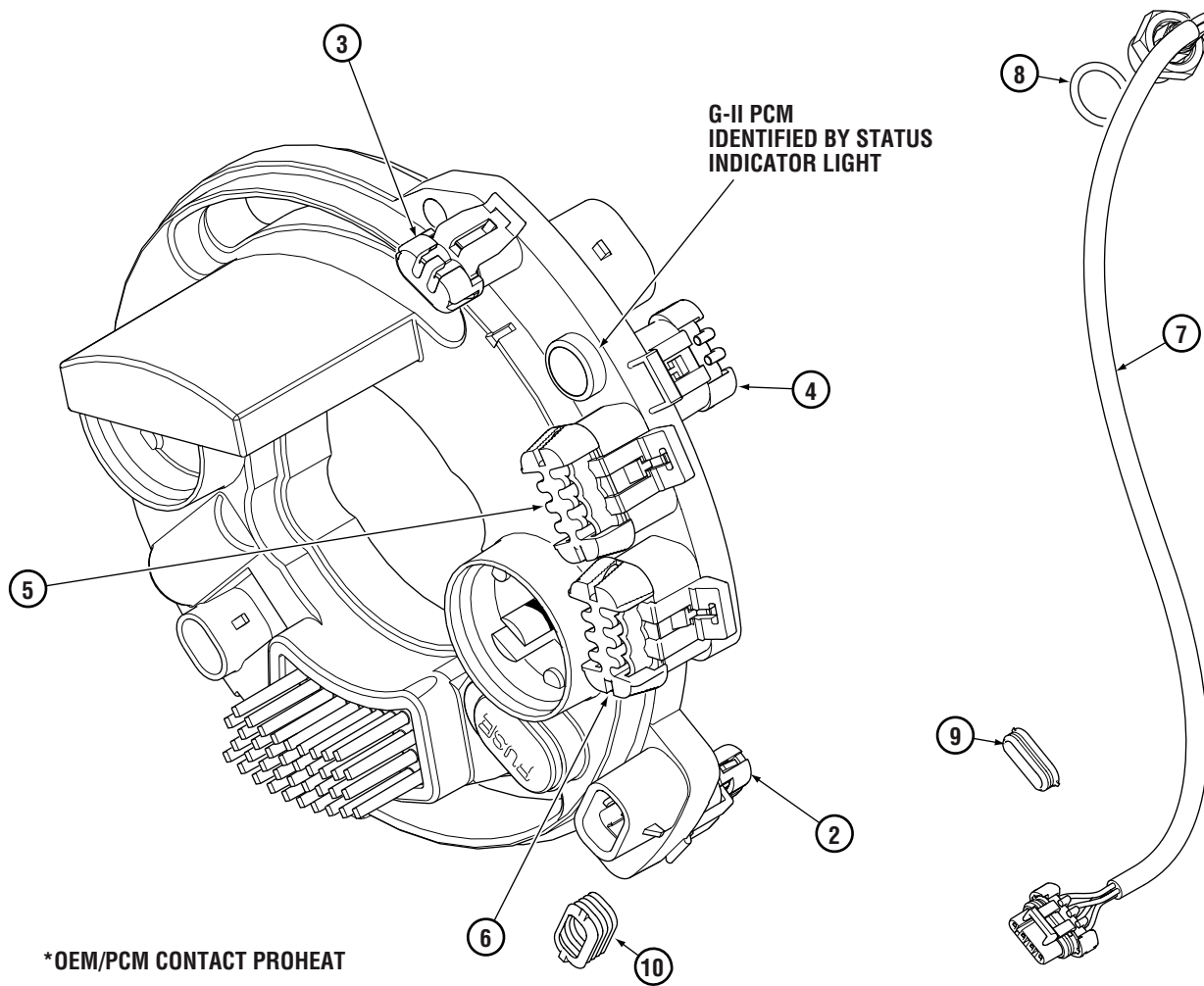
Item	Part#	Description	Item	Part#	Description
1	200700K	Fuel delivery block, M-Series c/w fittings, & fasteners	5	200702K	Solenoid, fuel shut off c/w O-ring
2	200704K	Regulator and screen kit, c/w O-rings and fasteners	6	829325K	Plug, 5/16-24 ORB HX c/w O-ring
3	200317K	Screen Kit, c/w O-rings	7	200128K	Relief valve kit, M-Series
4	200589K	Nozzle, 30609-50 (M50 only) c/w O-ring	8	215800K	O-ring kit complete (not shown) contains all O-rings used in the M-Series diaphragm compressor burner head.
	854421K	Nozzle, 30609-9 (M80/M90 only) c/w O-ring			
	200592K	Nozzle, 30609-51 (M105/M125 only) c/w O-ring			



Item	Part#	Description
*1	200916K	PCM, G-II, M50-12V, standard Aux output
	200906K	PCM, G-II, M80/90-12V, standard Aux output
	200918K	PCM, G-II, M50-24V, standard Aux output
	200911K	PCM, G-II, M80/90-24V, standard Aux output

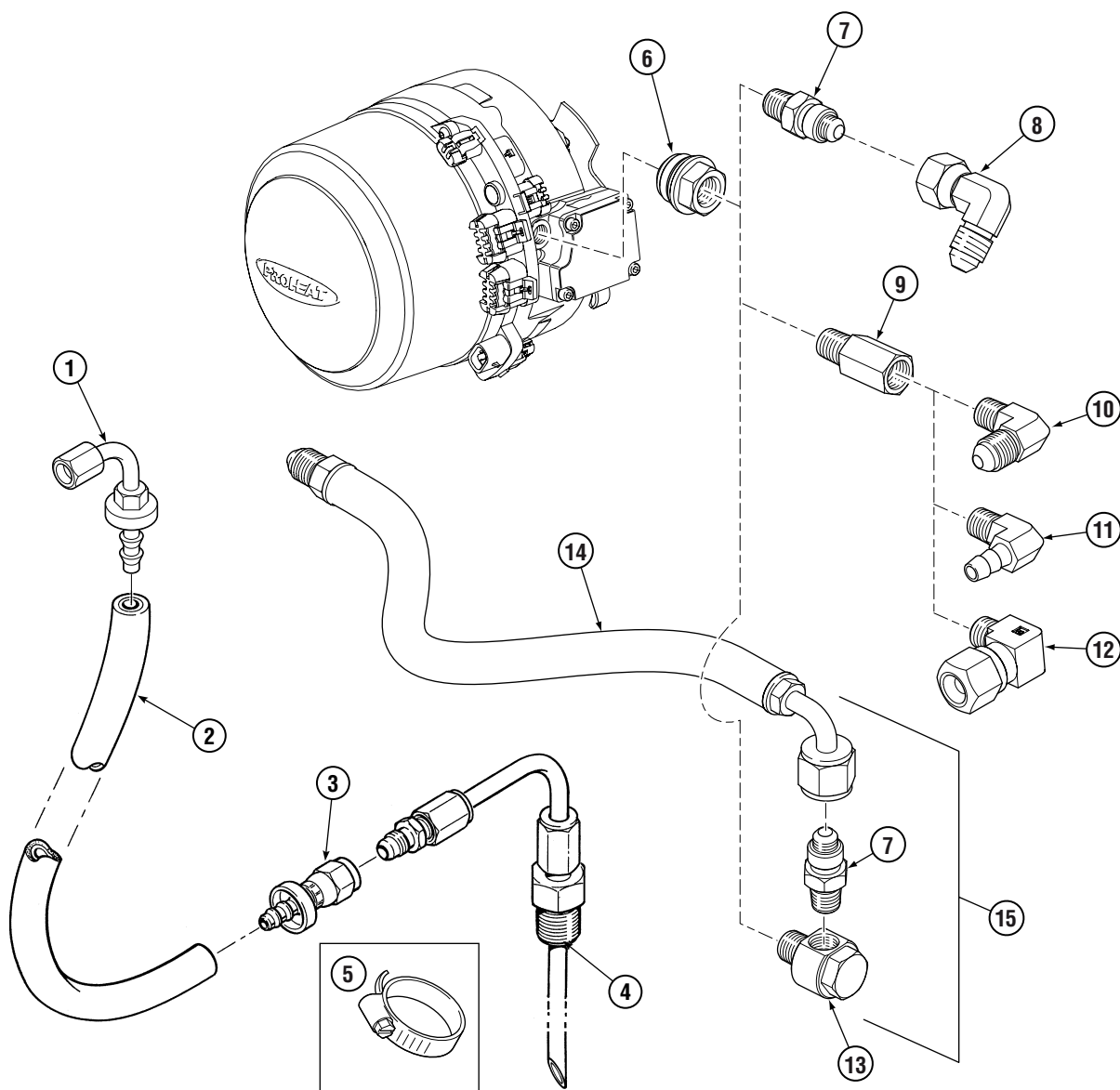
Item	Part#	Description
*1	200932K	PCM, G-II, M105/125-24V standard Aux output

OEM Bus/Coach Application only	Heater Model	Previous part # or revision	New part # to order
eLion Bus	M80 12V	200908K	200908K
Champion Bus	M50 12V	200906K	200906K
Eldorado National	M80/90 12V	200906K	200906K
	M50 24V	200911K	200918K
	M80/90 24V	200911K	200911K
Gillig	M50 24V	200911K	200918K
	M80 24V	200911K	200911K
Nova Bus	M50 24V w/CANbus lead	200545K	200555K
	M80 24V w/CANbus lead	200545K	200545K
	M50 24V	200911K	200918K
	M80 24V	200911K	200911K
Alex Dennis	M80 24V	200911K	200911K
New Flyer LFR	M50 24V	200911K	200918K
New Flyer LFR	M80 24V	200911K	200911K
New Flyer Xcelsior	M50 24V	200927K	200983K
New Flyer Xcelsior	M80 24V	200927K	200927K
New Flyer	M105/125 24V	200933K	200933K
Van Hool	M80 24V	200928K	200928K

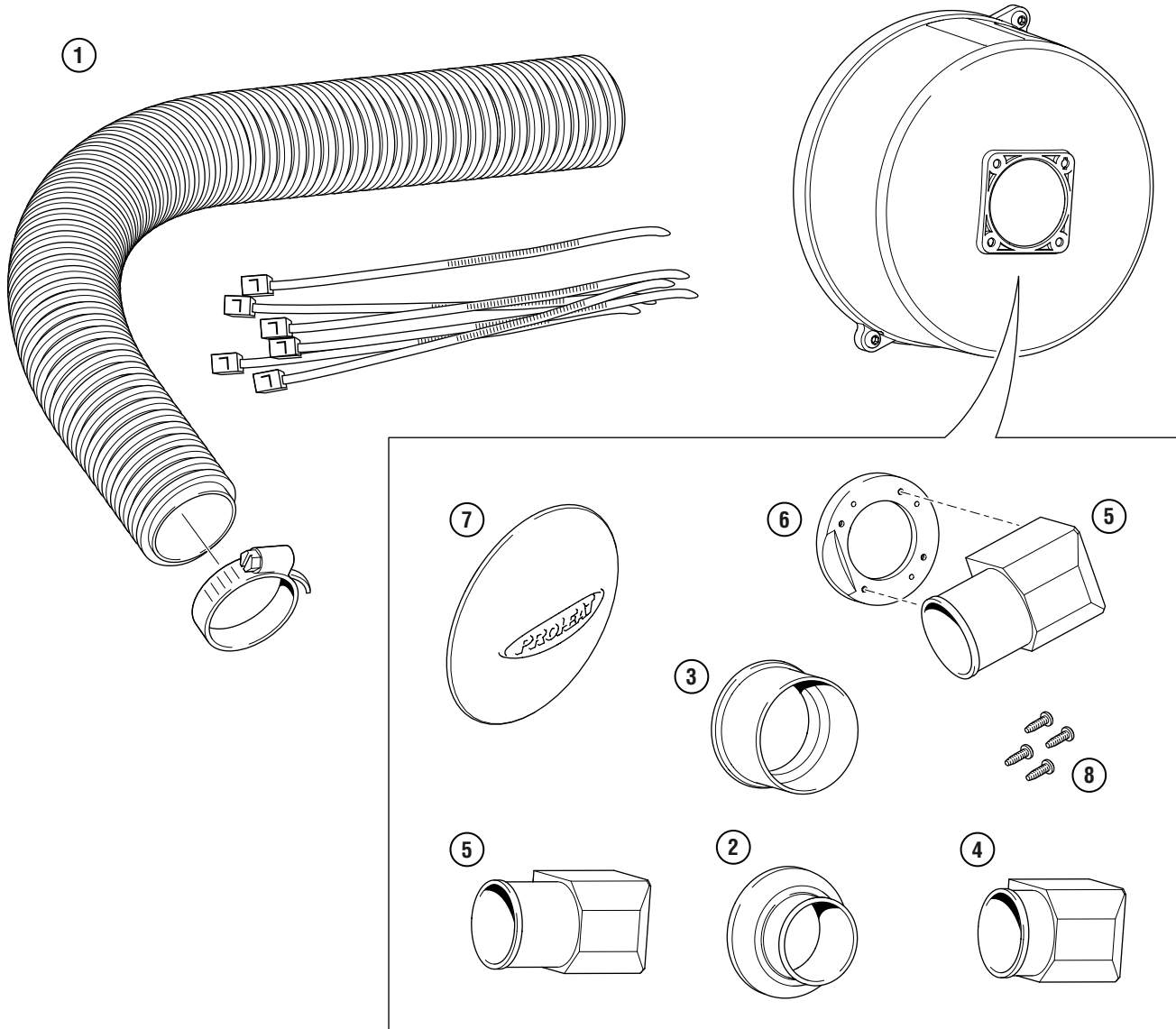


*OEM/PCM CONTACT PROHEAT

Item	Part#	Description	Item	Part#	Description
2	200561K	Plug, PCM, G-II coolant pump	9		Dual mode temperature sensor connector seal, tan, OEM# 12047949
3	200550K	Plug, PCM, G-II Aux	10		Power cord connector seal, green, OEM# 15300020
4	200581K	Plug, PCM, G-II CANbus	11	200585K	Plugs, PCM, G-I & G-II complete Plug kit (not shown) includes: 200550K x 1, 200561K x 2, 200563K x 1, 200570K x 1, 200581K x 1 1 x dielectric grease, 8 gram/pkg.
5	200563K	Plug, PCM, G-II Datalink			
6	200564K	Plug, PCM, G-II control			
7	200304K	Dual mode temperature sensor c/w O-ring item 8. (For use with PCM G-II only.)			
8	917724K	O-ring, dual mode temperature sensor			

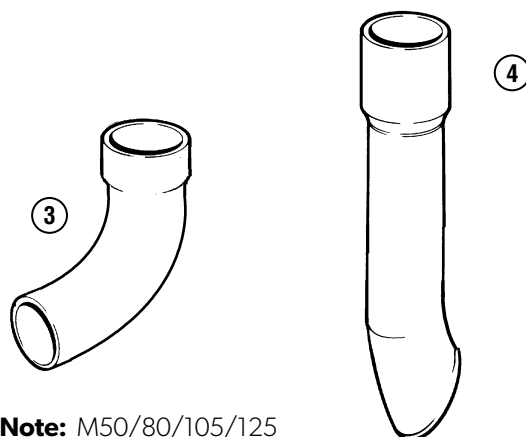
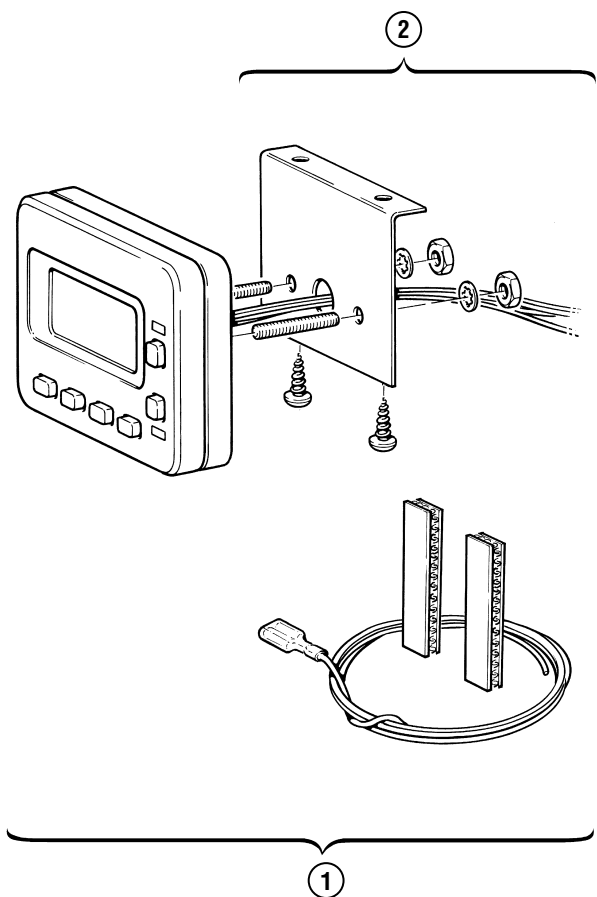


Item	Part#	Description	Item	Part#	Description
1	123542K	Fitting, 90° elbow, -4 JIC-F x 1/4" pushlok	11	912025K	Fitting, 90° elbow, 1/4" hose barb x 1/8" NPT-M
2	960146K	Hose, fuel 1/4" ID pushlok, 15' L	12	286000K	Fitting, 90° elbow, 3/8" tube x 1/8" NPT-M
3	925173K	Fitting, -4 JIC-F x 1/4" pushlok	13	200496K	Adapter, tight access 90° elbow, 1/8" NPT
4	980630K	Fuel pick-up, 28" -4 JIC-M x 3/8" NPT-M	14	200497K	Hose, fuel, assembled, 14" long, c/w -4 JIC fittings
5	880072K	Clamp, 1/4" hose (10/pkg)	15	960150K	Adapter kit, fuel supply, tight access Includes: items 7, 13 & 14
6	200479K	Fitting, fuel inlet, c/w O-ring	16	215800K	O-ring kit, complete (not shown) contains all O-rings used in the M-Series diaphragm compressor burner head.
7	859165K	Fitting, -4 JIC-M x 1/8" NPT-M STL			
8	854123K	Adapter, 90° elbow, -4 JIC-M swivel			
9	419621K	Adapter, extension, 1/8" NPT-M x 1/8" NPT-F			
10	850217K	Fitting, 90° elbow, -4 JIC-M x 1/8" NPT-M			

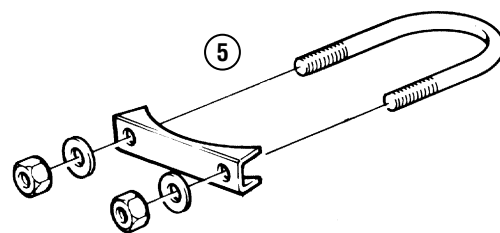


Item	Part#	Description
1	PK0317	Air inlet hose kit, 2.25" ID x 5 feet, c/w gear clamp and 6 tie straps
	PK0319	Air inlet hose kit, 2.25" ID x 7 feet, c/w gear clamp and 6 tie straps
2	135689K	Snorkel attachment, 2.25" OD c/w fasteners
3	896572K	Snorkel attachment, 3" OD c/w fasteners
4	135695K	Elbow air intake, short, 2.25" OD c/w fasteners

Item	Part#	Description
5	135697K	Elbow air intake, standard, 2.25" OD c/w fasteners
6	135690K	27° Adapter plate c/w fasteners (Optional, use with 135697K)
7	200409K	Splash guard c/w fasteners item 8
8	200224K	Screws, air inlet (4/pkg.)

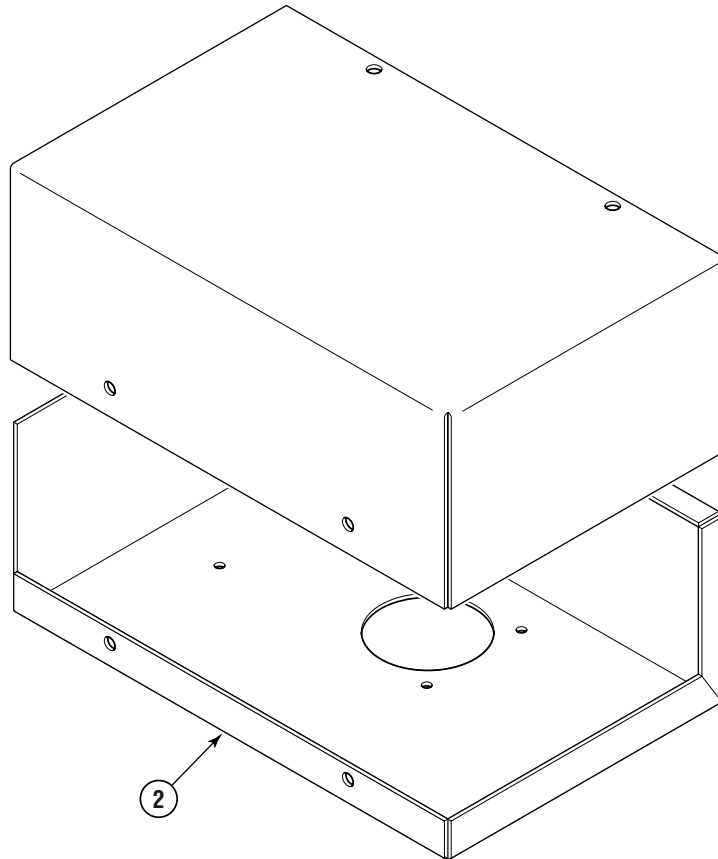
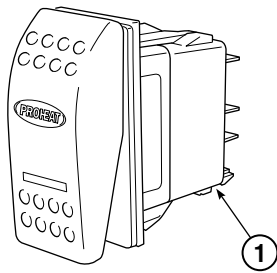


Note: M50/80/105/125 down exhaust only.



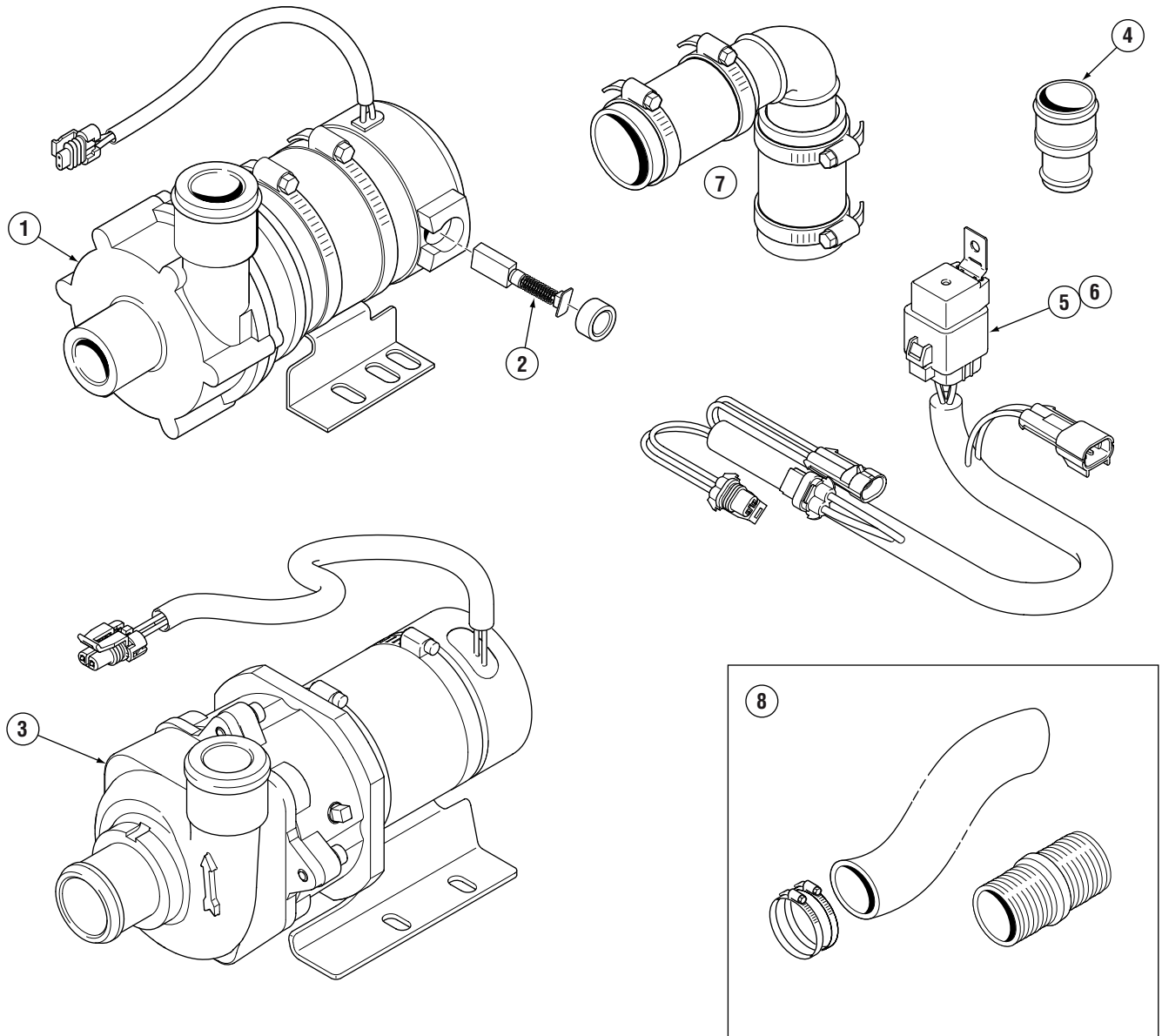
Item	Part#	Description
1	PK0001-1	T-II Timer, 7-day digital c/w installation kit
2	961125K	Installation kit,timer Kit contains: 2 x Washer #8 2 x Nut, hex #8-32 1 x Bracket, mounting 2 x Screw, #8 x 1/2" self tapping 2 x Stud #8-32 x 1" SKT. HD. 4 x Velcro, Dualock 1 x Wire, backlight c/w connector

Item	Part#	Description
3	900542K	Exhaust, elbow, 2.75" OD to 2.75" ID Note: M50/80/105/125 down exhaust only.
4	980794K	Exhaust, pipe, 2.75" ID x 10" Note: M50/80/105/125 down exhaust only.
5	900879K	Clamp, exhaust, 3.0" ID



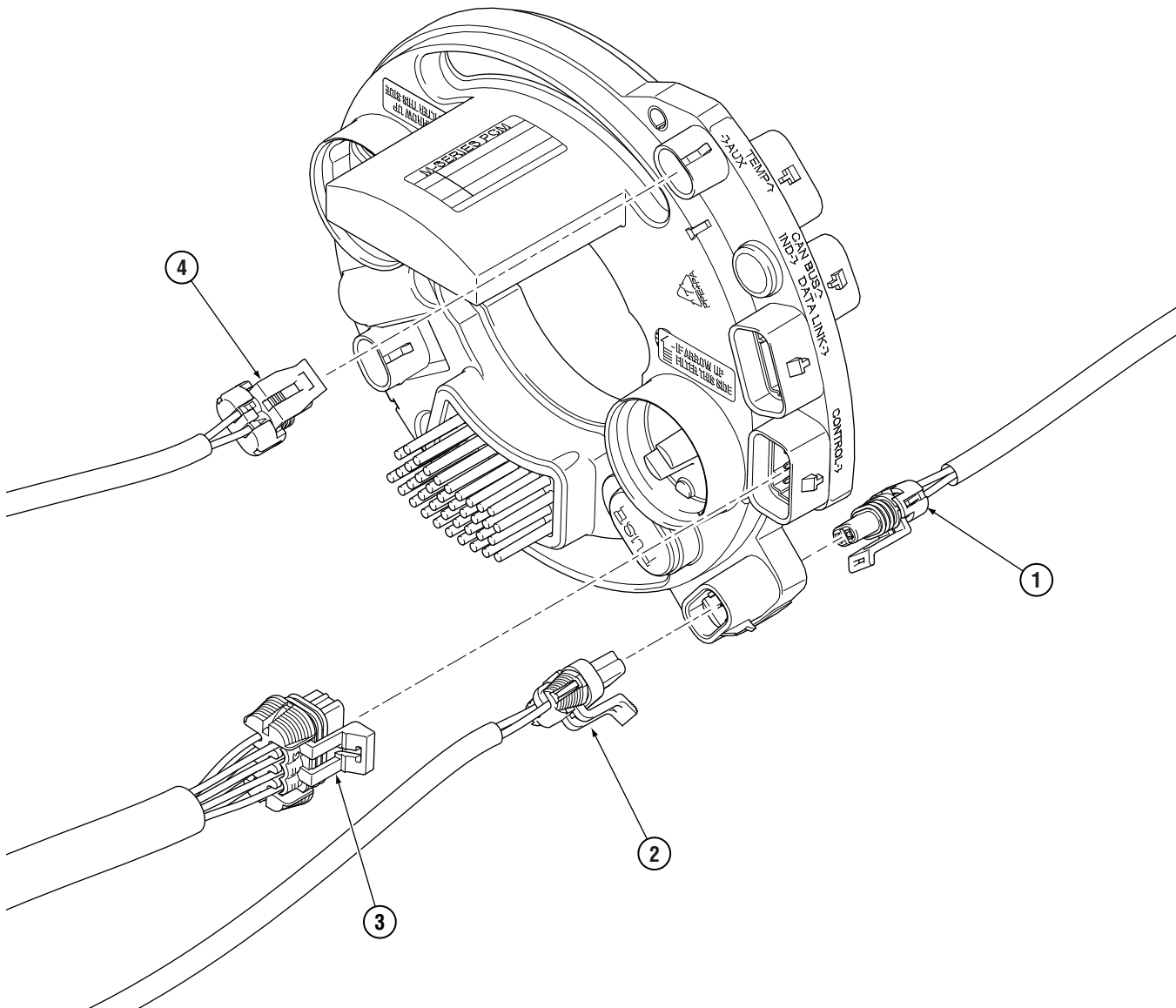
Item	Part#	Description
1	920130K	Rocker switch on/off 12/24 volt

Item	Part#	Description
2	150207K	Enclosure, steel, M-Series, down exhaust
	150208K	Enclosure, steel, M-Series, up exhaust

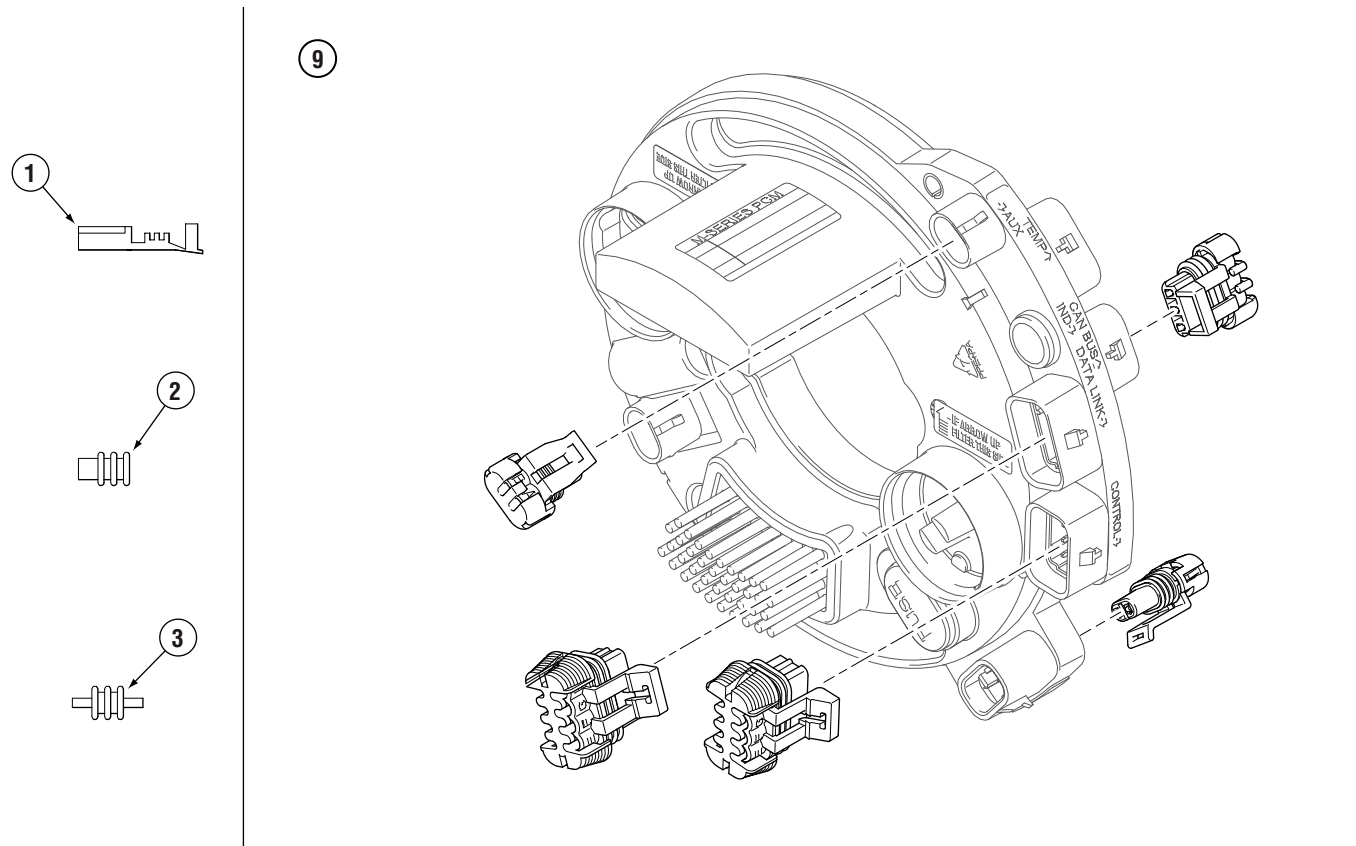


Item	Part#	Description
1	PK0365	Pump, coolant CP 5300/24V
2	950674K	Brush kit CP 5300 pump (2/pkg)
3	924812K	Coolant pump, Duratek® HD, brushless, Mag drive straight fitting 12 volt. Requires 944912K coolant pump relay harness.
	924824K	Coolant pump, Duratek® HD, brushless, Mag drive straight fitting 24 volt. Requires 944924K coolant pump relay harness.

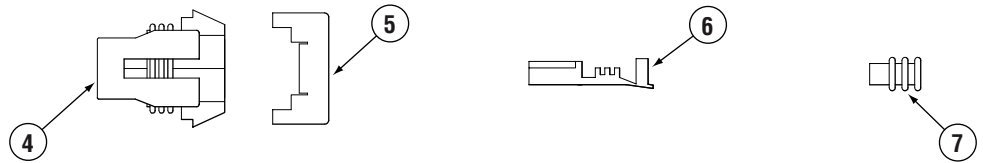
Item	Part#	Description
4	769235K	Fitting kit, 1-1/2" to 1" c/w clamps (not shown)
5	944912K	Harness, CP relay, 12V
6	944924K	Harness, CP relay, 24V
7	933628K	Coolant elbow
8	PK0364	1-1/2" Hose coupling kit
9	950673K	Shaft kit CP 5300 pump (not shown)



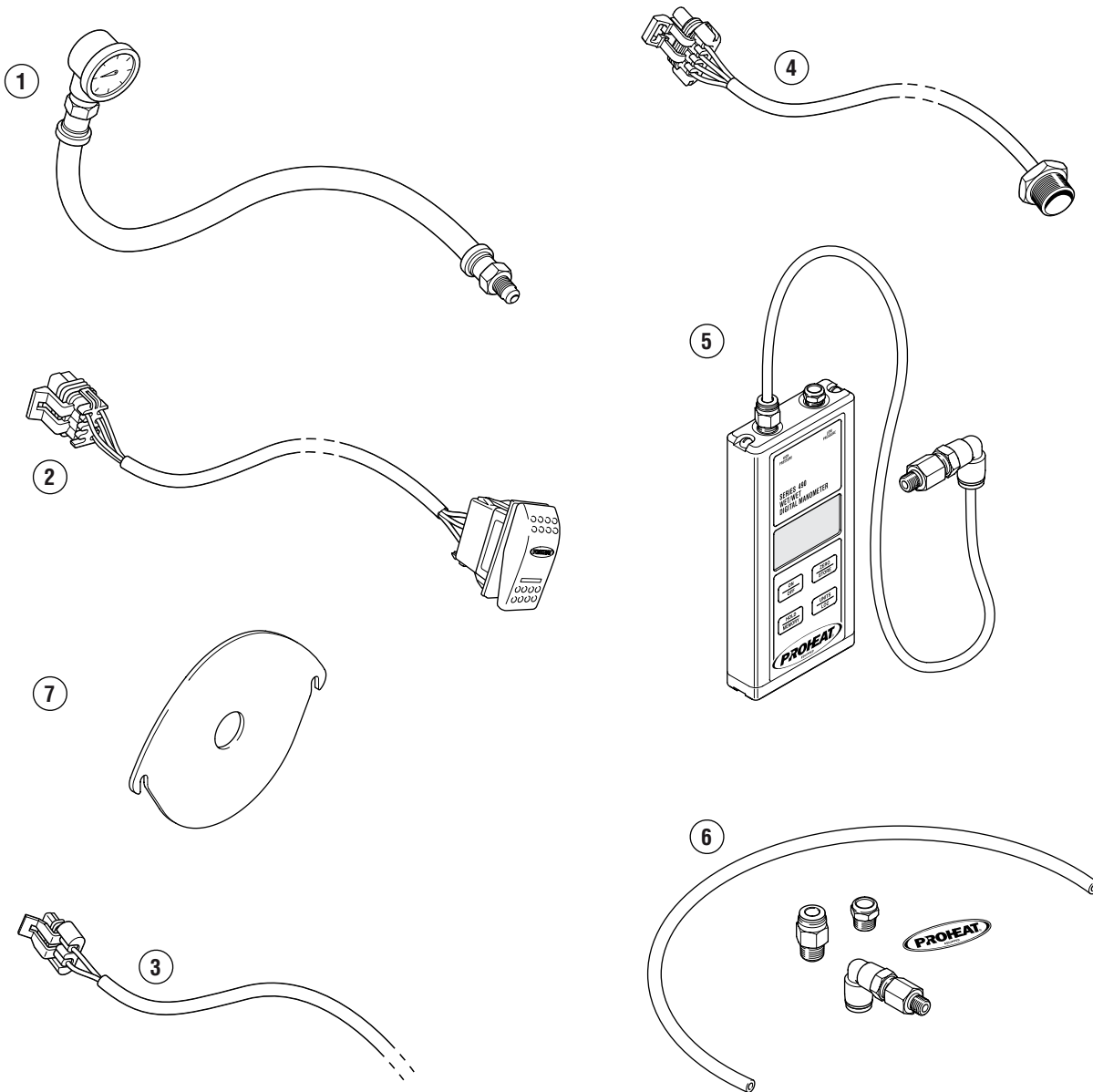
Item	Part#	Description	Item	Part#	Description
1	944557K	Coolant pump harness 1 ft.			
	944900K	Coolant pump harness 25 ft.			
2	944555K	Power harness 1 ft.			
	200204K	Power harness 16 ft.			
3	944556K	Control/switch Harness 1 ft.			
	200410K	Control/switch Harness 25 ft.			
	944567K	Control/switch Harness 50 ft.			
4	944902K	AUX Harness 16 ft.			



POWER CONNECTOR

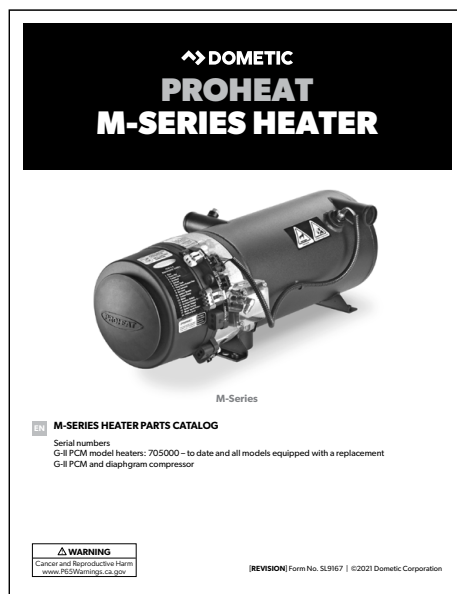
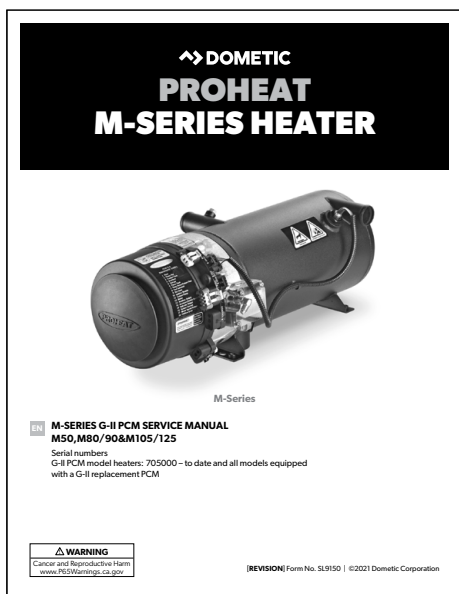
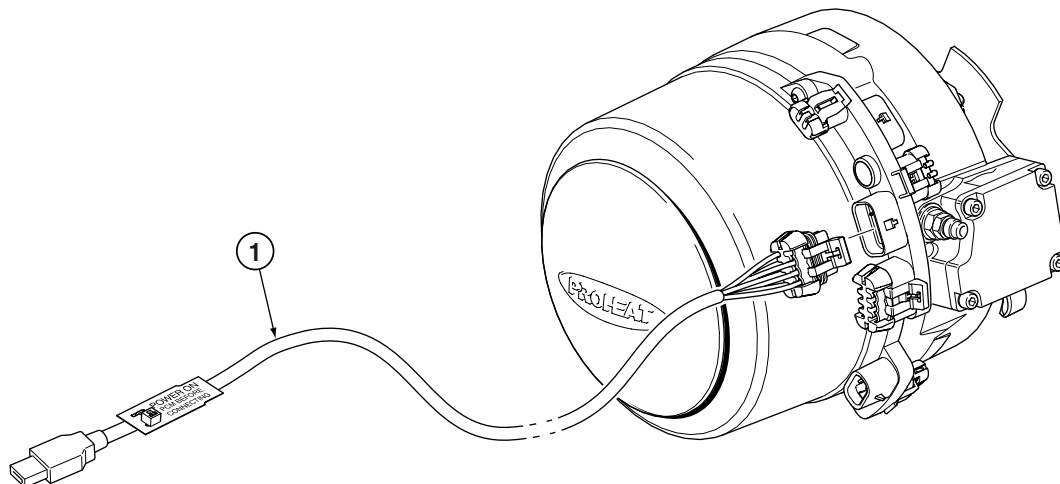


Item	Part#	Description	Item	Part#	Description
1	768621K	Terminal MP150 F pack (25/pkg.)	8	051700K	Dielectric grease (10/pkg.) (not shown)
2	768724K	Wire seal MP150 DK red (25/pkg.)	9	200585K	Plugs, PCM, G-I & G-II complete plug kit
3	768828K	Plug seal, (25/pkg.)			
4	917826K	Connector MP280 F 2 way (10/pkg.)			
5	917824K	Lock, MP280 2 way (10/pkg.)			
6	872025K	Terminal MP280 F (25/pkg.)			
7	998885K	Wire seal MP280 DK red (25/pkg.)			



Item	Part#	Description
1	PK0067	Test gauge, fuel pressure (Can also be used for air pressure measurement.)
2	PK0091	Remote on/off switch
3	200204K	Power extension harness, 16 ft.
4	200304K	Overheat/temperature sensor c/w O-ring. G-II PCM only

Item	Part#	Description
5	PK0036	Test gauge, air pressure, digital manometer
6	980036K	Replacement fitting kit for PK0036
7	PK0040	Wash plate
8	PK0096	Service kit (not shown) c/w items 2 to 5



Item	Part#	Description
1	PK0064	Proheat datalink USB cable, G-II PCM only
2	PK0072	Proheat datalink hardware kit (X30 X45 Plus, and M-Series G-II)
	200980K	Software, datalink X30 X45 Plus, and M-Series G-II only. Available online at www.proheat.com

Item	Part#	Description
3	SL9157	M-Series G-II PCM Service Manual
4	SL9167	M-Series G-II PCM Parts Catalog Available online at www.proheat.com

This page left intentionally blank.

5 Numeric Parts Index

PART#	DESCRIPTION	PAGE#	PART#	DESCRIPTION	PAGE#
020625K	#10 lock washer (10/pkg.)	4-8	200589K	Nozzle, 30609-50 (M50 only) c/w O-ring	4-9
051700K	Dielectric grease (10/pkg.)	4-19	200592K	Nozzle, 30609-51 (M105/M125 only) c/w O-ring	4-9
123542K	Fitting, 90° elbow, -4 JIC-F x 1/4" pushlok	4-13	200610K	Air filter, M-Series	4-4
135689K	Snorkel attachment, 2.25" OD c/w fasteners	4-2, 4-14	200685K	Diaphragm replacement kit	4-6
135690K	27° Adapter plate c/w fasteners (Optional, use with 135697K)	4-14	200691K	Diaphragm compressor rebuild kit	4-6
135695K	Elbow air intake, short, 2.25" OD c/w fasteners	4-2, 4-14	200700K	Fuel delivery block, M-Series c/w fittings, and fasteners	4-9
135697K	Elbow air intake, standard, 2.25" OD c/w fasteners	4-14	200701K	Fuel pump service kit	4-8
150207K	Enclosure, steel, M-Series, down exhaust	4-2, 4-16	200702K	Solenoid, fuel shut off c/w O-ring	4-9
150208K	Enclosure, steel, M-Series, up exhaust	4-2, 4-16	200704K	Regulator and screen kit, c/w O-rings and fasteners	4-9
200122K	Screw, M6x1x25 mm, BHSCS SS (2/pkg.)	4-4	200705K	Flame shield	4-8
200128K	Relief valve kit, M-Series	4-9	200802K	Ignition electrodes	4-8
200200K	Combustion tube, M50/M80, 13.75" long	4-3	200850K	Ignition module c/w fasteners and electrodes	4-8
200204K	Power extension harness, 16 ft	4-18, 4-20	200906K	PCM, G-II, M80/90-12V, standard Aux output	4-10
200206K	Combustion tube, M125, 17.75" long	4-3	200911K	PCM, G-II, M80/90-24V, Aux output	4-10
200224K	Screws, air inlet (4/pkg.)	4-14	200916K	PCM, G-II, M50-12V, standard Aux output	4-10
200304K	Dual mode temperature sensor c/w O-ring	4-3, 4-12, 4-20	200918K	PCM, G-II, M50-24V, standard Aux output	4-10
200317K	Screen Kit, c/w O-rings	4-9	200932K	PCM, G-II, M105/125-24V Aux output	4-10
200404K	Motor, 24 Volt, c/w fasteners	4-4	200980K	Software, datalink X30 X45 Plus, and M-Series G-II only	4-21
200409K	Splash guard c/w fasteners	4-14	201050K	Burner Head Flange and Compressor M50	4-5
200410K	Control/switch Harness 25 ft	4-18	201055K	Diaphragm compressor tune-up, M50	4-7
200412K	Seal kit, c/w bearing	4-4	201080K	Burner Head Flange and Compressor M80/90	4-5
200419K	Blower, capped, M-Series c/w retaining ring	4-4	201085K	Diaphragm compressor tune-up, M80/90	4-7
200447K	Blower housing c/w fasteners	4-4	201105K	Burner Head Flange and Compressor M105/125	4-5
200475K	Diaphragm compressor valve cover kit	4-7	201155K	Diaphragm compressor tune-up, M105/125	4-7
200478K	Diaphragm compressor cover kit contains gasket, cover, bolts and lock washers	4-6	201600K	Diaphragm compressor screws and washers kit	4-6
200479K	Fitting, fuel inlet, c/w O-ring	4-8, 4-13	206195K	Heat exchanger, M50, c/w restrictor	4-3
200492K	Gasket, diaphragm compressor cover	4-6	209200K	Combustion tube, Bravo to M-Series M90 down exhaust and, M80/90 up exhaust 16.75" long	4-3
200496K	Adapter, tight access 90° elbow, 1/8" NPT	4-13	215800K	O-ring kit complete	4-4, 4-7, 4-8, 4-9, 4-13
200497K	Hose, fuel, assembled, 14" long, c/w -4 JIC fittings	4-13	220420K	O-ring, air intake (diaphragm compressor only)	4-4
200508K	Motor, 12 Volt, c/w fasteners	4-4	235687K	Restrictor exhaust 1" (M50 only)	4-3
200550K	Plug, PCM, G-II Aux	4-12	286000K	Fitting, 90° elbow, 3/8" tube x 1/8" NPT-M	4-13
200561K	Plug, PCM, G-II coolant pump	4-12	402102K	Gear, set c/w retaining rings, diaphragm compressor only	4-4
200563K	Plug, PCM, G-II Datalink	4-12	419621K	Adapter, extension, 1/8" NPT-M x 1/8" NPT-F	4-13
200564K	Plug, PCM, G-II control	4-12	509010K	Burner Head Assembly M90, 24V, basic	4-4
200574K	Cylinder head replacement kit	4-6	509012K	Burner Head Assembly M90, 12V, basic	4-4
200581K	Plug, PCM, G-II CANbus	4-12	509909K	Burner Head Assembly M80, 24V, basic	4-4
200585K	Plugs, PCM, G-I & G-II complete plug kit	4-12, 4-19	509912K	Burner Head Assembly M80, 12V, basic	4-4
			509916K	Burner Head Assembly M50, 12V, basic	4-4

PART#	DESCRIPTION	PAGE#	PART#	DESCRIPTION	PAGE#
509920K	Burner Head Assembly M50, 24V, basic	4-4	944902K	AUX Harness 16 ft.	4-18
509969K	Burner Head Assembly M105/125, 24V basic	4-4	944912K	Harness, CP relay, 12V	4-17
768621K	Terminal MP150 F pack (25/pkg.)	4-19	944924K	Harness, CP relay, 24V	4-17
768724K	Wire seal MP150 DK red (25/pkg.)	4-19	950669K	Brush kit (2/pkg.)	4-4
768828K	Plug seal, (25/pkg.)	4-19	950673K	Shaft kit CP 5300 pump	4-17
769235K	Fitting kit, 1-1/2" to 1" c/w clamps	4-17	950674K	Brush kit CP 5300 pump (2/pkg)	4-17
829325K	Plug, 5/16-24 ORB HX /w O-ring	4-9	960146K	Hose, fuel 1/4" ID pushlok, 15' L	4-13
850123K	Screw, M6 x 1 x 60 mm, SHCS SS (4/pkg.)	4-8	960150K	Adapter kit, fuel supply, tight access	4-2, 4-13
850217K	Fitting, 90° elbow, -4 JIC-M x 1/8" NPT-M	4-13	961125K	Installation kit, timer	4-15
850233K	Screw, M6 x 1 x 16 mm, SHCS SS (4/pkg.)	4-4, 4-8	980036K	Replacement fitting kit for PK0036	4-20
850400K	Heat exchanger, M80/90, up exhaust	4-3	980630K	Fuel pick-up, 28" -4 JIC-M x 3/8" NPT-M	4-13
850778K	Screw M8 x 1.25 x 30 HWHCS (2/pkg.)	4-3	980794K	Exhaust, pipe, 2.75" ID x 10" Note: M50/80/105/125 down exhaust only.	4-15
854123K	Adapter, 90° elbow, -4 JIC-M swivel	4-13	998885K	Wire seal MP280 DK red (25/pkg.)	4-19
854421K	Nozzle, 30609-9 (M80/M90 only) c/w O-ring	4-9	PH0605	M50, 12V basic heater (50,000 BTU)	4-1
859165K	Fitting, -4 JIC-M x 1/8" NPT-M STL	4-8, 4-13	PH0606	M50, 24V basic heater (50,000 BTU)	4-1
862128K	Bleed valve, M50/80/90 up exhaust, only	4-3	PH0803	M80, 12V basic heater (80,000 BTU)	4-1
872025K	Terminal MP280 F (25/pkg.)	4-19	PH0804	M80, 24V basic heater (80,000 BTU)	4-1
880035K	Fuel filter	4-8	PH0903	M90, 12V basic heater (90,000 BTU)	4-1
880072K	Clamp, 1/4" hose (10/pkg)	4-13	PH0904	M90, 24V basic heater (90,000 BTU)	4-1
896572K	Snorkel attachment, 3" OD c/w fasteners	4-2, 4-14	PH0912	M90, 12V basic heater (90,000 BTU), up exhaust	4-1
900542K	Exhaust, elbow, 2.75" OD to 2.75" ID Note: M50/80/105/125 down exhaust only.	4-15	PH0924	M90, 24V basic heater (90,000 BTU), up exhaust	4-1
900879K	Clamp, exhaust, 3.0" ID	4-15	PH0925	M125, 24V basic heater (125,000 BTU)	4-1
900960K	Plug	4-3	PH0954	M105, 24V basic heater (105,000 BTU)	4-1
912025K	Fitting, 90° elbow, 1/4" hose barb x 1/8" NPT-M	4-13	PK0001-1	T-II Timer, 7-day digital c/w installation kit	4-2, 4-15
917724K	O-ring, dual mode temperature sensor	4-3, 4-12	PK0036	Test gauge, air pressure, digital manometer	4-20
917824K	Lock, MP280 2 way (10/pkg.)	4-19	PK0040	Wash plate	4-20
917826K	Connector MP280 F 2 way (10/pkg.)	4-19	PK0064	Proheat Datalink USB cable, G-II PCM only	4-2 4-21
920130K	Rocker switch on/off 12/24 volt	4-16	PK0067	Test gauge, fuel pressure	4-20
920175K	Retaining ring (3/pkg.)	4-4	PK0072	Proheat datalink hardware kit (X30 X45 Plus, and M-Series G-II)	4-21
924812K	Coolant pump, Duratek® HD, brushless, Mag drive straight fitting 12 volt.	4-2, 4-17	PK0091	Remote on/off switch	4-20
924824K	Coolant pump, Duratek® HD, brushless, Mag drive straight fitting 24 volt.	4-2, 4-17	PK0096	Service kit	4-20
925173K	Fitting, -4 JIC-F x 1/4" pushlok	4-13	PK0304	Basic installation kit, 24 volt	4-1
933628K	Coolant elbow kit	4-17	PK0306	Basic installation kit, 12 volt	4-1
940501K	Heat exchanger, M80	4-3	PK0316	Snorkel kit air inlet hose (ø 3" ID)	4-2
940502K	Heat exchanger, M125	4-3	PK0317	Air inlet hose kit, 2.25" ID x 5 feet, c/w gear clamp and 6 tie straps	4-2, 4-14
940600K	Heat exchanger, Bravo to M-Series M90 down exhaust	4-3	PK0319	Air inlet hose kit, 2.25" ID x 7 feet, c/w gear clamp and 6 tie straps	4-14
944555K	Power harness 1 ft.	4-18	PK0364	1-1/2" Hose coupling kit	4-17
944556K	Control/switch Harness 1 ft.	4-18	PK0365	Pump, coolant CP 5300/24V	4-2, 4-17
944557K	Coolant pump harness 1 ft.	4-18	SL9157	M-Series G-II PCM Service Manual	4-21
944567K	Control/switch Harness 50 ft.	4-18	SL9167	M-Series G-II PCM Parts Catalog	4-21
944900K	Coolant pump harness 25 ft.	4-18			

Mobile living made easy.



© 2021 DOMETIC

PRINTED IN CANADA 10/21

DOMETIC VANCOUVER
3831 NO.6 ROAD
RICHMOND, B.C.
CANADA V6V 1P6

www.dometic.com



Designed and Manufactured
in North America



FORM NO. SL9167 REV. C

