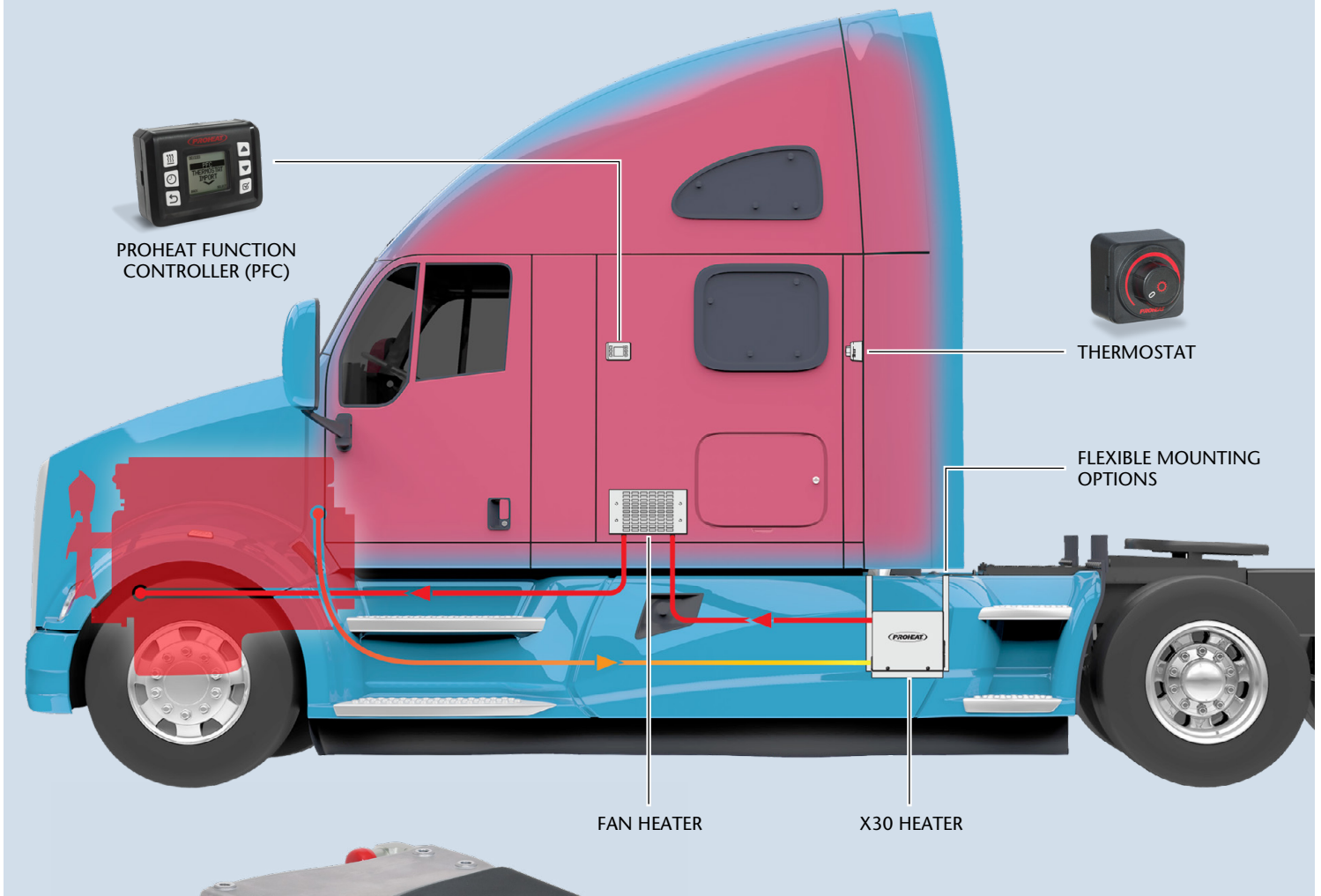




X30

THE COMPLETE HEATING SOLUTION FOR YOUR TRUCK



ONE TRUCK — ONE HEATER

- One heater for both engine preheat and cab comfort
- 15–31kBTU/hr variable heat output
- O₂ sensing technology provides optimal combustion performance
- Advanced programmable controller with CAN Bus support
- Significant fuel savings and minimal battery draw



www.proheat.com

X30 SPECIFICATIONS

RATING	15,000 – 31,000 BTU/hr (4.4 – 9.1 kW)
OPERATING VOLTAGE RANGE	10 – 30 VDC
POWER CONSUMPTION	90W max. (7.5A @ 12VDC, 3.8A @24VDC)
FUEL CONSUMPTION	0.1 – 0.31 Gal/hr. (0.4 – 1.17 L/hr.)
COOLANT FLOW (minimum)	3.0 Gal/min. (11.4 L/min.)
COOLANT TEMPERATURE (at heater)*	150 – 185 °F (65 – 85 °C)
OPERATING TEMPERATURE RANGE	-40 – 185°F (-40 – 85°C)
OPERATING ALTITUDE RANGE	0 – 15,000 ft (0 – 4572 m)**
FUEL TYPES	Diesel (ULSD #1, #2 and Arctic Blend), Kerosene (K-1), Jet (A, A-1 and JP8), Bio fuels (up to B20)
IGNITION TYPE	Electronic spark ignition
HEAT EXCHANGER CAPACITY	0.36 quart (0.34 litre)
WEIGHT Heater only Heater with enclosure	36 lbs (16.3 kg) 44 lbs (20 kg)
DIMENSIONS – HEATER (L x W x H)	12.3 x 10.2 x 9.9 inches (312 x 256 x 251 mm)
DIMENSIONS – ENCLOSURE (L x W x H)	13.25 x 11.25 x 11 inches (337 x 286 x 279 mm)
WARRANTY	Two years parts and labor

X30 KITS

BASIC HEATER	PH0350
STANDARD HEATER KIT NO ENCLOSURE	PH0360
Includes: Items 1 and 2	
1. BASIC HEATER	PH0350
2. INSTALLATION KIT	PK3014
STANDARD HEATER KIT WITH ENCLOSURE	PH0370
Includes: Items 1, 2 and 3	
1. BASIC HEATER	PH0350
2. INSTALLATION KIT	PK3014
3. ALUMINUM ENCLOSURE	PK3002

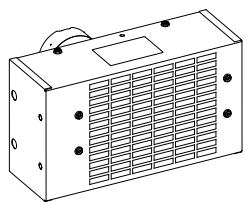
X30 ACCESSORIES



Installation Kit PK3014



Proheat Aluminum Enclosure
PK3002



Auxiliary Fan Heater
PK3004 (24V), PK3012 (12V)

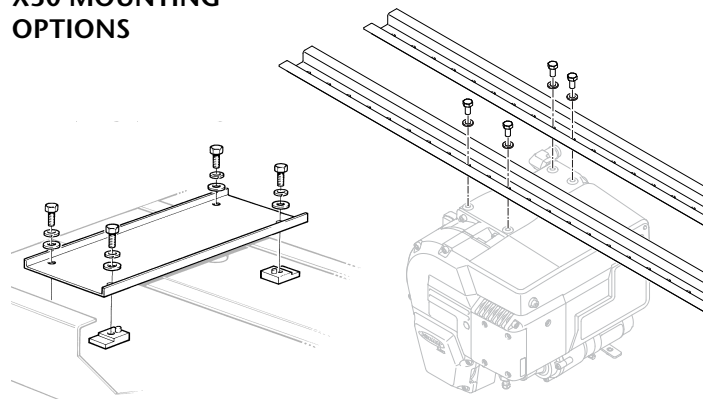


Proheat Function Controller (PFC)
PK3000



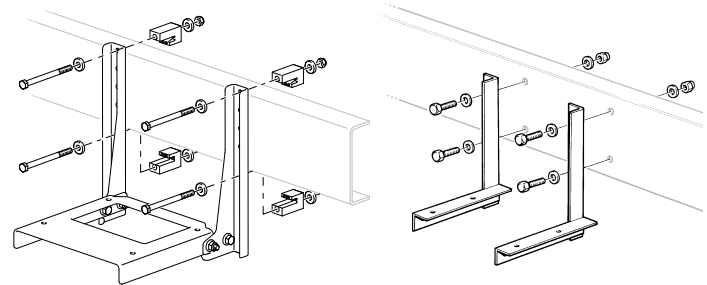
Proheat Thermostat
PK3001

X30 MOUNTING OPTIONS



Cross Frame Mounting Kit
PK3006

Universal Mounting Kit
PK3005



Side Frame-No-Drill Mounting Kit
PK3016

Side Frame Mounting Kit
PK0152

Please Note: Specifications are subject to change without notice.

* Optional set points available.

** Contact product support for sustained operation above 10,000 ft (3048 m).



Designed and Manufactured
in North America



Proheat is registered trademark
of Marine Canada Acquisition Inc.
and its subsidiary companies.

